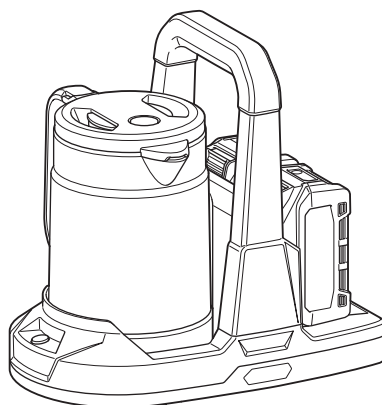


INSTRUCTION MANUAL
MANUEL D'INSTRUCTION
MANUAL DE INSTRUCCIONES



Cordless Kettle Bouilloire Sans Fil Hervidor Inalámbrico

KT001G



IMPORTANT: Read Before Using.

IMPORTANT : Lire avant usage.

IMPORTANTE: Lea antes de usar.

IMPORTANT SAFEGUARDS

When using electrical appliances, basic safety precautions should always be followed, including the following:

- **Read all Instructions.**
- **Do not touch hot surfaces. Use handles or knobs.**
- **To protect against fire, electric shock and injury to persons do not immerse plugs, battery, or charger in water or other liquid.**
- **Close supervision is necessary when any appliance is used by or near children.**
- **Remove the battery cartridge when not in use and before cleaning. Allow to cool before putting on or taking off parts, and before cleaning the appliance.**
- **Do not operate any appliance after the appliance malfunctions, or has been damaged in any manner. Return appliance to the nearest authorized service facility for examination, repair or adjustment.**
- **The use of accessory attachments not recommended by the appliance manufacturer may result in fire, electric shock or injury to persons.**
- **Do not use outdoors.**
- **Do not place on or near a hot gas or electric burner, or in a heated oven.**
- **Always turn off the power switch before removing the battery cartridge.**
- **Do not use appliance for other than intended use.**
- **Do not open the lid during boiling water.**
- **Scalding may occur if the lid is removed during boiling water.**
- **This appliance is intended to be used in household.**
- **Do not overfill water in the appliance. Boiled water may be ejected and cause burn injury.**
- **It is a battery-operated appliance, the battery being charged outside the appliance.**
- **Rechargeable batteries are to be removed from the appliance before being charged.**
- **Batteries are to be inserted with the correct polarity.**
- **Exhausted batteries are to be removed from the appliance and safely disposed of.**
- **Avoid spilling any liquid on the power supply connectors or the battery terminals.**
- **This appliance is water kettle for boiling water and there is potential of injury from misuse.**

SAVE THESE INSTRUCTIONS

SPECIFICATIONS

Model:	KT001G
Rated voltage	D.C. 36 V - 40 V max
Capacity	0.8 L
Dimensions (L x W x H)	235 mm x 322 mm x 307 mm (9-1/4" x 12-5/8" x 12-1/8") (without battery cartridge)
Net weight *1 (The combined value of the kettle and the power supply stand)	2.8 - 5.9 kg (6.2 - 13.0 lbs) (with battery cartridges)
Net weight (The kettle only)	1.0 kg (2.2 lbs)
Net weight (The power supply stand only)	1.1 kg (2.4 lbs) (without battery cartridge)
Estimated boiling time *2	approx. 8 min. (when boiling 0.8 L 23 °C(73.4 °F) water at ambient temperature is 23 °C(73.4 °F))

*1 The lightest and heaviest combination weight of the kettle, the power supply stand, and battery cartridges are shown in the table.

*2 Values may differ depending on battery type, charging status, and usage condition.

- Due to our continuing program of research and development, the specifications herein are subject to change without notice.
- Specifications may differ from country to country.

Amount of water that can be boiled

Battery cartridge (Full charged)	Amount of water that can be boiled*
BL4020 x 2	1.1 L
BL4025 x 2	1.2 L
BL4040 x 2	2.2 L
BL4050F x 2	3.0 L
BL4080F x 2	4.9 L
PDC1200	11.4 L

* When boiling 23 °C(73.4 °F) water at ambient temperature is 23 °C(73.4 °F)

NOTE: Amounts are approximate and may differ depending on battery type, charging status, and usage condition.

NOTE: The amount of water that can be boiled with one battery is about half of the amount when using two batteries.

Applicable battery cartridge and charger

Battery cartridge	BL4020 / BL4025 / BL4040 / BL4050F / BL4080F
Charger	DC40RA / DC40RB / DC40RC

- Some of the battery cartridges and chargers listed above may not be available depending on your region of residence.

⚠WARNING: Only use the battery cartridges and chargers listed above. Use of any other battery cartridges and chargers may cause injury and/or fire.





Recommended cord connected power source

Portable power pack	PDC1200
---------------------	---------

- The cord connected battery pack(s) listed above may not be available depending on your region of residence.
- Before using the cord connected battery pack, read instruction and cautionary markings on them.

Symbols

The followings show the symbols used for tool.

	volts
	direct current
	Warning: Hot surface. Risk of burns. Do not touch until cooled.
	A representative battery applicable to this product.

SAFETY WARNINGS

Cordless Kettle safety warnings

⚠ WARNING: IMPORTANT! READ CAREFULLY all safety warnings and all instructions BEFORE USE. Failure to follow the warnings and instructions may result in electric shock, fire and/or serious injury.

1. **Do not use any accessories not recommended by the manufacturer.** Otherwise unexpected matter may occur.
2. **Do not touch hot surfaces.** Surfaces are liable to get hot during use.
3. **Do not use the appliance around explosive atmosphere.** Otherwise burns or a fire may occur.
4. **Do not use the appliance close to heat sources (stoves, etc.).**
5. **Do not use the appliance in humid or wet locations or expose it to rain.** Otherwise water may get into the appliance and electric shock may result.
6. **Put the appliance on the flat stable surface.**
7. **Do not cover the spout while boiling.** Steam cannot be discharged and may cause a malfunction or injury.
8. **Allow to cool before cleaning the appliance.** Otherwise burn injury may occur.
9. **Be careful not to lay down the appliance that contains water.** The discharge lock does not seal water completely. Water may spill, even if the discharge lock is activated.
10. **Position the appliance so that walls or furniture are not exposed to steam.** Otherwise discoloration, deformation or cracks may result.
11. **Boil only water. Do not boil other than water like milk, tea, or soup etc.** Otherwise the contents may be ejected and cause an injury, or the appliance may get dirty or malfunction may occur.
12. **Do not put anything other than water in the kettle, like a bottle or cup etc.** Otherwise the water may be ejected and cause an injury, or the appliance may get dirty or malfunction may occur.
13. **Do not open the lid immediately after boiling.** Otherwise boiled water may drip and cause burn injury.

⚠ WARNING: DO NOT let comfort or familiarity with product (gained from repeated use) replace strict adherence to safety rules for the subject product. MISUSE or failure to follow the safety rules stated in this instruction manual may cause serious personal injury.

Safety warnings for battery-operated appliance

Battery-operated appliance use and care

1. **Prevent unintentional starting. Ensure the switch is in the off-position before connecting to battery pack, picking up or carrying the appliance.** Carrying the appliance with your finger on the switch or energizing appliance that have the switch on invites accidents.
2. **Disconnect the battery pack from the appliance before making any adjustments, changing accessories, or storing appliance.** Such preventive safety measures reduce the risk of starting the appliance accidentally.
3. **Recharge only with the charger specified by the manufacturer.** A charger that is suitable for one type of battery pack may create a risk of fire when used with another battery pack.
4. **Use appliances only with specifically designated battery packs.** Use of any other battery packs may create a risk of injury and fire.
5. **When battery pack is not in use, keep it away from other metal objects, like paper clips, coins, keys, nails, screws or other small metal objects, that can make a connection from one terminal to another.** Shorting the battery terminals together may cause burns or a fire.
6. **Under abusive conditions, liquid may be ejected from the battery; avoid contact. If contact accidentally occurs, flush with water. If liquid contacts eyes, additionally seek medical help.** Liquid ejected from the battery may cause irritation or burns.
7. **Do not use a battery pack or appliance that is damaged or modified.** Damaged or modified batteries may exhibit unpredictable behaviour resulting in fire, explosion or risk of injury.
8. **Do not expose a battery pack or appliance to fire or excessive temperature.** Exposure to fire or temperature above 130 °C may cause explosion.
9. **Follow all charging instructions and do not charge the battery pack or appliance outside the temperature range specified in the instructions.** Charging improperly or at temperatures outside the specified range may damage the battery and increase the risk of fire.
10. **Have servicing performed by a qualified repair person using only identical replacement parts.** This will ensure that the safety of the product is maintained.
11. **Do not modify or attempt to repair the appliance or the battery pack except as indicated in the instructions for use and care.**

Important safety instructions for battery cartridge

1. Before using battery cartridge, read all instructions and cautionary markings on (1) battery charger, (2) battery, and (3) product using battery.
2. Do not disassemble or tamper with the battery cartridge. It may result in a fire, excessive heat, or explosion.
3. If operating time has become excessively shorter, stop operating immediately. It may result in a risk of overheating, possible burns and even an explosion.
4. If electrolyte gets into your eyes, rinse them out with clear water and seek medical attention right away. It may result in loss of your eyesight.
5. Do not short the battery cartridge:

- (1) Do not touch the terminals with any conductive material.
- (2) Avoid storing battery cartridge in a container with other metal objects such as nails, coins, etc.
- (3) Do not expose battery cartridge to water or rain.

A battery short can cause a large current flow, overheating, possible burns and even a breakdown.

6. Do not store and use the appliance and battery cartridge in locations where the temperature may reach or exceed 50 °C (122 °F).
7. Do not incinerate the battery cartridge even if it is severely damaged or is completely worn out. The battery cartridge can explode in a fire.
8. Do not nail, cut, crush, throw, drop the battery cartridge, or hit against a hard object to the battery cartridge. Such conduct may result in a fire, excessive heat, or explosion.
9. Do not use a damaged battery.
10. The contained lithium-ion batteries are subject to the Dangerous Goods Legislation requirements.
For commercial transports e.g. by third parties, forwarding agents, special requirement on packaging and labeling must be observed.
For preparation of the item being shipped, consulting an expert for hazardous material is required. Please also observe possibly more detailed national regulations.
Tape or mask off open contacts and pack up the battery in such a manner that it cannot move around in the packaging.
11. When disposing the battery cartridge, remove it from the appliance and dispose of it in a safe place. Follow your local regulations relating to disposal of battery.
12. Use the batteries only with the products specified by Makita. Installing the batteries to non-compliant products may result in a fire, excessive heat, explosion, or leak of electrolyte.
13. If the appliance is not used for a long period of time, the battery must be removed from the appliance.

14. During and after use, the battery cartridge may take on heat which can cause burns or low temperature burns. Pay attention to the handling of hot battery cartridges.
15. Do not touch the terminal of the appliance immediately after use as it may get hot enough to cause burns.
16. Do not allow chips, dust, or soil stuck into the terminals, holes, and grooves of the battery cartridge. It may result in poor performance or breakdown of the appliance or battery cartridge.
17. Unless the appliance supports the use near high-voltage electrical power lines, do not use the battery cartridge near high-voltage electrical power lines. It may result in a malfunction or breakdown of the appliance or battery cartridge.
18. Keep the battery away from children.

SAVE THESE INSTRUCTIONS.

CAUTION: Only use genuine Makita batteries. Use of non-genuine Makita batteries, or batteries that have been altered, may result in the battery bursting causing fires, personal injury and damage. It will also void the Makita warranty for the Makita appliance and charger.

Tips for maintaining maximum battery life

1. Charge the battery cartridge before completely discharged. Always stop appliance operation and charge the battery cartridge when you notice less appliance power.
2. Never recharge a fully charged battery cartridge. Overcharging shortens the battery service life.
3. Charge the battery cartridge with room temperature at 10 °C - 40 °C (50 °F - 104 °F). Let a hot battery cartridge cool down before charging it.
4. When not using the battery cartridge, remove it from the appliance or the charger.
5. Charge the battery cartridge if you do not use it for a long period (more than six months).

PARTS DESCRIPTION

Kettle

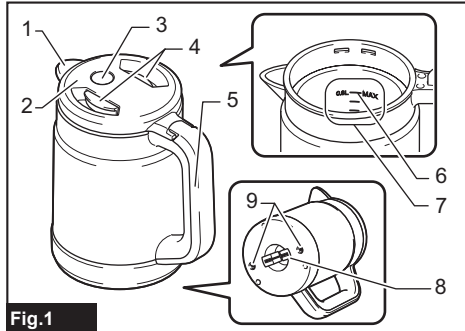


Fig.1

1	Spout	2	Lid
3	Discharge lock button	4	Open-lid button
5	Handle	6	Maximum line
7	Water volume scale	8	Power supply connector (bottom side)
9	Temperature sensor	-	-

Power supply stand

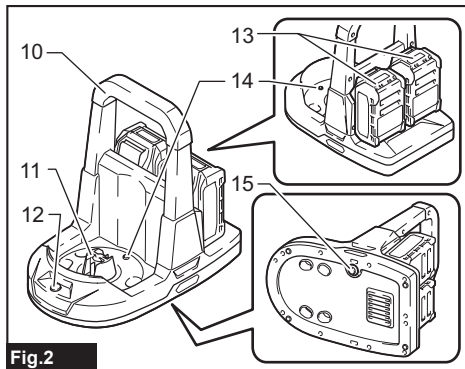


Fig.2

10	Carrying handle	11	Power supply connector
12	Power switch	13	Battery cartridge
14	Temperature sensor	15	Ground sensing element

FUNCTIONAL DESCRIPTION

CAUTION: Always be sure that the appliance is switched off and the battery cartridge is removed before adjusting or checking function on the appliance.

Installing or removing battery cartridge

CAUTION: Always switch off the appliance before installing or removing of the battery cartridge.

CAUTION: Hold the appliance and the battery cartridge firmly when installing or removing battery cartridge. Failure to hold the appliance and the battery cartridge firmly may cause them to slip off your hands and result in damage to the appliance and battery cartridge and a personal injury.

To remove the battery cartridge, slide it from the appliance while sliding the button on the front of the cartridge.

To install the battery cartridge, align the tongue on the battery cartridge with the groove in the housing and slip it into place. Insert it all the way until it locks in place with a little click. If you can see the red indicator on the upper side of the button, it is not locked completely.

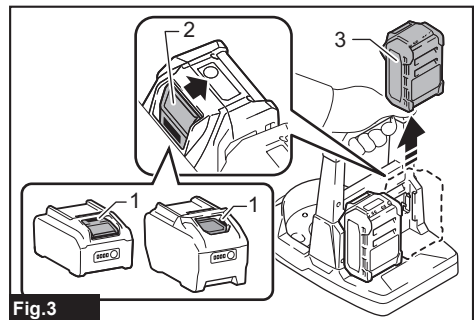


Fig.3

► 1. Red indicator 2. Button 3. Battery cartridge

CAUTION: Always install the battery cartridge fully until the red indicator cannot be seen. If not, it may accidentally fall out of the tool, causing injury to you or someone around you.

CAUTION: Do not install the battery cartridge forcibly. If the cartridge does not slide in easily, it is not being inserted correctly.

NOTE: Up to two battery cartridges can be installed, although the appliance uses one battery cartridge for operation.

Indicating the remaining battery capacity

Press the check button on the battery cartridge to indicate the remaining battery capacity. The indicator lamps light up for a few seconds.

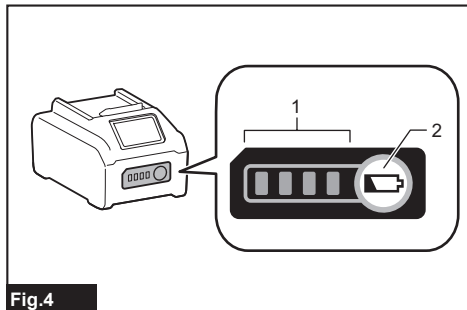


Fig.4

► 1. Indicator lamps 2. Check button

Indicator lamps			Remaining capacity
Lighted	Off	Blinking	
■ ■ ■ ■			75% to 100%
■ ■ ■ □			50% to 75%
■ ■ □ □			25% to 50%
■ □ □ □			0% to 25%
▣ □ □ □			Charge the battery.
■ ■ □ □			The battery may have malfunctioned.
□ □ ■ ■	↑ ↓		

NOTE: Depending on the conditions of use and the ambient temperature, the indication may differ slightly from the actual capacity.

NOTE: The first (far left) indicator lamp will blink when the battery protection system works.

Appliance / battery protection system

The appliance and battery are equipped with the protection system. This system automatically cuts off power to the motor to extend appliance and battery life. The appliance will automatically stop during operation if the appliance or battery is placed under one of the following conditions.

- **Overload protection :** When the appliance or battery is operated in a manner that causes it to draw an abnormally high current, the appliance automatically stops without any indication. In this situation, turn the appliance off and stop the application that caused the appliance to become overloaded. Then turn the appliance on to restart.

- **Overheat protection :** When the appliance or battery is overheated, the appliance automatically stops. Let the appliance cool down before turning it on again.
- **Overdischarge protection :** When the battery capacity becomes low, the appliance stops automatically. If the appliance does not operate even when the switches are operated, remove the battery cartridge from the appliance and charge it.

Protections against other causes

Protection system is also designed for other causes that could damage the appliance and allows the appliance to stop automatically. Take all the following steps to clear the causes, when the appliance has been brought to a temporary halt or stop in operation.

1. Turn the appliance off, and then turn it on again to restart.
2. Charge the battery(ies) or replace it/them with recharged battery(ies).
3. Let the appliance and battery(ies) cool down.

If no improvement can be found by restoring protection system, then contact your local Makita Service Center.

Using appliance with cord connected power source

Before using the cord connected power source, read instructions and cautionary markings on it.

⚠WARNING: When using the appliance with the cord connected power source, put the cord connected power source on the stable surface. This appliance is used in static position. Using the cord connected power source which you carry on your back may cause falling accident.

OPERATION

Preparation

When using the appliance for the first time, or after long period of storage, perform the following steps.

1. Remove all packing materials from the appliance.
2. Clean the interior of the kettle and filter. There may be dirt such as dust on them.

See the chapter "MAINTENANCE" for how to clean.

Boiling water

⚠ CAUTION: Boil only water. Do not boil other than water.

⚠ CAUTION: Do not put the appliance on an unstable place, a place where people often pass, or a place where children can reach. Otherwise the appliance may be accidentally tipped over and cause an injury.

⚠ CAUTION: When closing the lid, push the lid securely and put the discharge lock button in locked position. Otherwise burn injury may occur when falling accident occurs.

1. Open the lid while pushing both of the open-lid buttons.
2. Pour preferred amount of fresh tepid water into the kettle. Then close the lid.

⚠ CAUTION: Make sure the discharge lock button is in locked position. Otherwise boiled water may be spilled unintentionally and cause burn injury.

⚠ CAUTION: Do not over fill water exceeding the maximum line. Otherwise boiled water may be ejected and cause burn injury.

NOTICE: Prevent no-water burning, do not turn on the appliance without water. Otherwise discoloration or malfunction may occur.

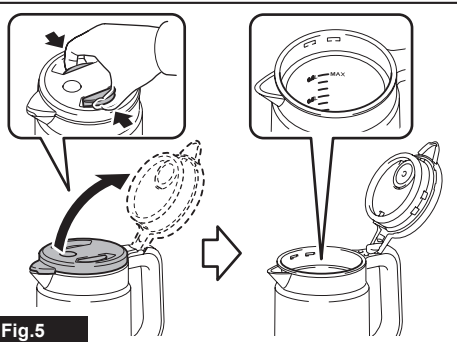


Fig.5

3. Put the kettle onto the power supply stand.

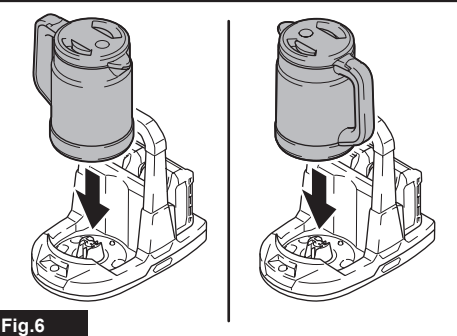


Fig.6

4. Push the power switch.

The power switch lights up in orange with single beep sound, then boiling starts.

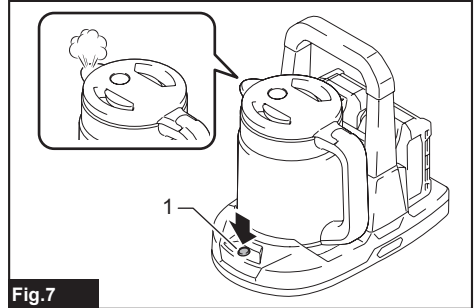


Fig.7

- 1. Power switch


⚠ CAUTION: Make sure that the lid is closed. Otherwise large volume of steam may discharge and burn injury may occur.

⚠ CAUTION: Make sure that the discharge lock button is in locked position. Otherwise a large volume of steam may discharge and burn injury may occur.

⚠ CAUTION: Do not touch the steam. Risk of burn injury.



Fig.8

⚠ CAUTION: Do not touch around  mark and the metal part located in the figure during boiling or some time after boiling. Risk of burn injury.

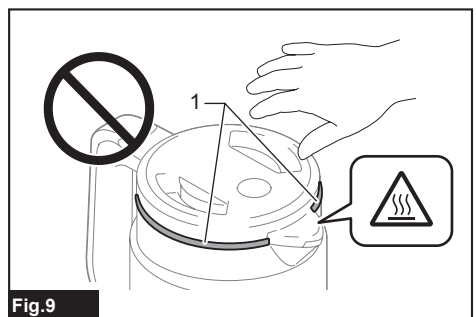


Fig.9

- 1. Metal part that may extreme hot

NOTE: If you press the power switch right after boiling operation, the appliance may not work due to the protection against high temperature. In this case, allow the appliance to cool and then press the power switch again.

When the boiling is finished, the appliance turns off automatically with a few seconds of beep sound.

NOTE: When you lift the kettle or the power supply stand while boiling, the appliance stop boiling and the power switch blinks in orange.

— If you return the kettle or the power supply stand while the power switch is blinking, the appliance restarts boiling automatically.

— Few seconds after you lift the kettle or the power supply stand, the appliance turns off.

NOTE: When the battery capacity becomes low while boiling, the appliance turns off and the power switch blinks in red for a few seconds with three beep sounds.

NOTE: If you turn on the appliance when all battery capacities are low, the appliance turns off within a few seconds with a single beep sound.

5. Lift the kettle while holding the carrying handle of the power supply stand.

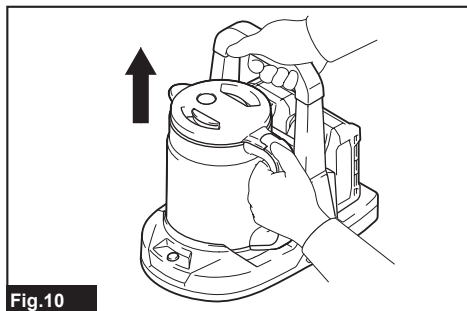


Fig.10

6. Pour the water.

CAUTION: Be careful not to get burned while pouring boiled water.

To prevent accidental water discharge, the discharge lock button is provided. Push the discharge lock button to pour the water.

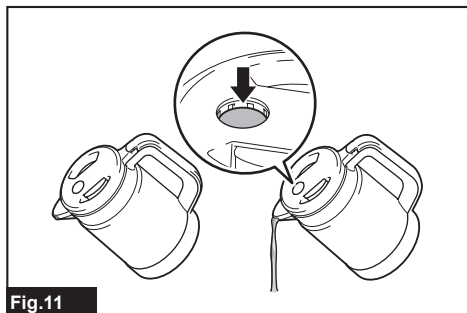


Fig.11

Carrying

WARNING: Do not carry the kettle with the power supply stand while heating water or with the boiled water in the kettle. Otherwise burn injury may result when falling accident occurs.

When carrying the appliance, hold the carrying handle.

MAINTENANCE

WARNING: All parts should be replaced at an Authorized Service Center.

CAUTION: Always be sure that the appliance is switched off, unplugged, and the battery cartridge is removed before attempting to perform inspection or maintenance.

CAUTION: Do not touch the kettle immediately after discharging the boiled water. Wait until the kettle is cooled down completely. Otherwise a burn injury may occur.

CAUTION: Make sure the kettle is empty before attempting to perform inspection or maintenance. Otherwise accidents may occur.

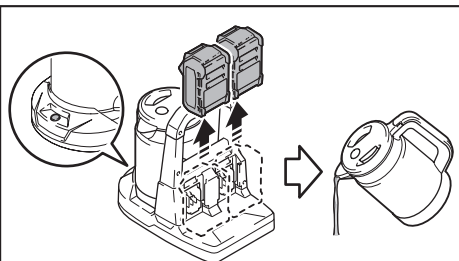


Fig.12

NOTICE: Never use gasoline, benzine, thinner, alcohol or the like. Discoloration, deformation or cracks may result.

NOTICE: Do not use the dishwasher, dish dryer, or hairdryer.

NOTICE: Do not use polishing powder, bleach, cleanser, metal scrubbing brush, chemical scrubbing brush, etc.

NOTICE: Do not wash the kettle and the power supply stand. Do not wet the power supply connector.

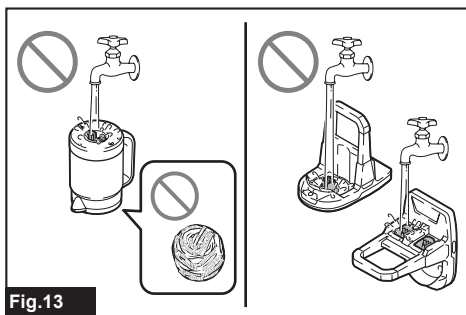


Fig.13

To maintain product **SAFETY** and **RELIABILITY**, repairs, any other maintenance or adjustment should be performed by Makita Authorized or Factory Service Centers, always using Makita replacement parts.

Cleaning

Exterior of the appliance

After the appliance is cooled, clean exterior of the appliance using clean clothes.

If the appliance is very dirty, use a cloth dampened in soapy water. Then wipe the water off with dry cloth.

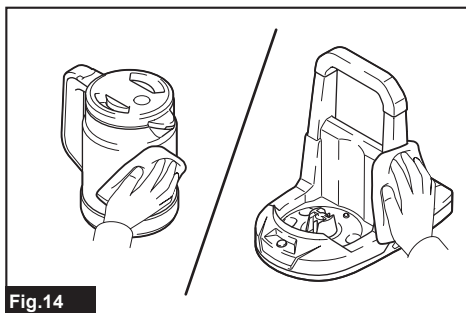


Fig.14

Interior of the kettle

Remove the lid by pulling it out from the kettle as shown in the figure.

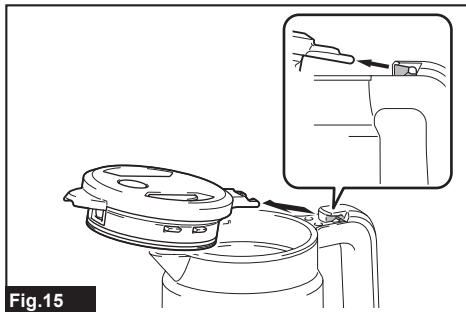


Fig.15

Rinse well with water, then dry the inside.

Filter

Remove the filter by pulling it out from the lid as shown in the figure.

Wash the filter, then dry it.

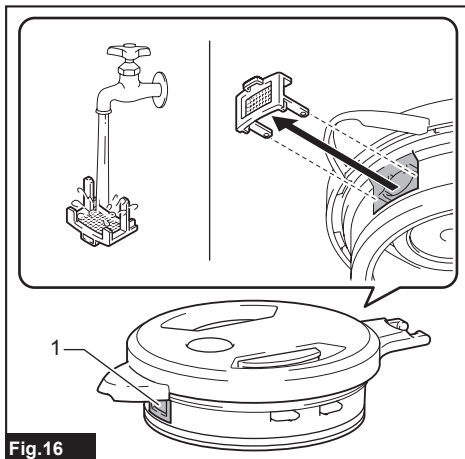


Fig.16

► 1. Filter

To install the filter and the lid, follow the removing procedure in reverse.

Removing scales inside the kettle

Through the use of the appliance, water scale will build up inside the kettle. Water scale makes boiling inefficient. If water scales becomes noticeable, clean the inside of the kettle with citric acid.

1. Open the lid, and remove the filter from the lid.
 2. Pour water up to the maximum line into the kettle.
 3. Add 40 g (1.4 oz) of citric acid commercially available into the water and stir it up. Then close the lid.
 4. Put the kettle on the power supply stand.
 5. Push the power switch.
 6. Leave the kettle for about 1 hour after boiling finished.
 7. Drain the water and rinse inside of the kettle with water.
 8. If you taste or smell citric acid, boil water only and drain it.
- If the dirt is hard to remove, repeat steps 2 to 7.
9. Dry the kettle and install the filter on the lid.

Storage

To prevent fire or burning, allow the appliance to cool down completely before you store it. Do not store the discharged battery for long periods, as it can shorten its service life.

TROUBLESHOOTING

Before asking for repairs, conduct your own inspection first. If you find a problem that is not explained in the manual, do not attempt to disassemble the machine. Instead, ask Makita Authorized Service Centers, always using Makita replacement parts for repairs.

Symptom	Probable cause	Remedy
Not working.	Battery cartridges are installed improperly.	Install the battery cartridges as described in this manual.
	The battery cartridges are exhausted.	Charge the battery cartridges.
The appliance turns off with beep sound soon after turning on the appliance.	The temperature sensor detects high temperature because the power switch has been pressed right after boiling.	Leave the appliance off for few minutes to cool the appliance.
The appliance turns off with the power switch blinking in orange soon after turning on the appliance.	The terminal of the temperature sensor is dirty.	Wipe off the dirt on the temperature sensor using dry cloth.
	The power supply stand is tilted or placed on unstable surface.	Put the appliance on the stable, level and flat surface.
Though the boiling operation has not finished, the appliance turns off with a few seconds of beep sound just like when the boiling is finished.	The terminal of the temperature sensor is dirty.	Wipe off the dirt on the temperature sensor using dry cloth.
	The kettle is not sitting on the power supply stand properly because dust or similar is caught between the kettle and the power supply stand.	Remove any dust on the bottom of the kettle or on the power supply stand.
The power switch does not stop blinking in red. (And the power switch turn off about 10 minutes after.)	Power supply connector on the kettle and/ or the power supply stand is dirty.	Remove the battery and wipe off the dirt on the power supply connector using dry cloth.
Boiled water spills out.	Water is filled exceeding the maximum line.	Reduce water below the maximum line.
	Anything other than water is filled in the kettle.	Do not boil anything other than water.
Smells of the boiled water.	Chlorine in tap water may smell.	
	Smell of resin just after unpacking will fade away in time.	
Drops of the water on the power supply stand.	Dew condensation may occur on the appliance because of the vapor of the boiled water.	
Boiled water leaks when the kettle is tilted.	There's opening on the spout. Even if the open-lid button is in locked position, the water leaks out when the kettle is tilted.	

OPTIONAL ACCESSORIES

⚠ CAUTION: These accessories or attachments are recommended for use with your Makita appliance specified in this manual. The use of any other accessories or attachments might present a risk of injury to persons. Only use accessory or attachment for its stated purpose.

If you need any assistance for more details regarding these accessories, ask your local Makita Service Center.

- Makita genuine battery and Makita authorized charger

NOTE: Some items in the list may be included in the tool package as standard accessories. They may differ from country to country.

MAKITA LIMITED WARRANTY

Please refer to the annexed warranty sheet for the most current warranty terms applicable to this product. If annexed warranty sheet is not available, refer to the warranty details set forth at below website for your respective country.

United States of America: www.makitatools.com

Canada: www.makita.ca

Other countries: www.makita.com

PRÉCAUTIONS IMPORTANTES

Lors de l'utilisation d'appareils électriques, vous devez toujours prendre des précautions de sécurité de base, dont les suivantes :

- **Lisez toutes les instructions.**
- **Ne touchez pas les surfaces chaudes. Utilisez des poignées ou des boutons.**
- **Pour protéger contre les incendies, les décharges électriques et les blessures corporelles, n'immergez pas les fiches, la batterie ou le chargeur dans de l'eau ou un autre liquide.**
- **Une supervision étroite est requise lorsque tout appareil est utilisé par des enfants ou près de ceux-ci.**
- **Retirez la batterie lorsqu'elle n'est pas utilisée et avant le nettoyage. Laissez l'appareil refroidir avant de poser ou de retirer des pièces, et avant de le nettoyer.**
- **N'opérez aucun appareil après des défaillances de celui-ci ou s'il a été endommagé d'une quelconque manière. Retournez l'appareil au centre de service après-vente agréé le plus près pour inspection, réparation ou réglage.**
- **L'utilisation d'accessoires optionnels qui ne sont pas recommandés par le fabricant de l'appareil peut entraîner un incendie, une décharge électrique ou des blessures corporelles.**
- **Ne l'utilisez pas à l'extérieur.**
- **Ne le mettez pas sur ou à proximité d'un brûleur au gaz chaud ou électrique, ou d'un four chaud.**
- **Coupez toujours l'interrupteur avant de retirer la batterie.**
- **N'utilisez pas l'appareil à d'autres fins que celles pour lesquelles il a été conçu.**
- **N'ouvrez pas le couvercle lorsque de l'eau bout.**
- **Des brûlures pourraient survenir si le couvercle est retiré pendant que de l'eau bout.**
- **Cet appareil est conçu pour un usage domestique.**
- **Ne mettez pas une quantité excessive d'eau dans l'appareil. De l'eau bouillante pourrait être éjectée et causer des brûlures.**
- **Il s'agit d'un appareil à batterie et cette dernière est chargée à l'extérieur de l'appareil.**
- **Les batteries rechargeables doivent être retirées de l'appareil avant d'être chargées.**
- **Les batteries doivent être insérées en respectant la polarité adéquate.**
- **Les batteries épuisées doivent être retirées de l'appareil et éliminées de façon sécuritaire.**
- **Évitez de déverser tout liquide sur les connecteurs d'alimentation ou les bornes de batterie.**
- **Cet appareil est une bouilloire pour faire bouillir de l'eau et il existe une possibilité de blessures en raison d'une utilisation inadéquate.**

CONSERVEZ CES INSTRUCTIONS

SPÉCIFICATIONS

Modèle :	KT001G
Tension nominale	C.C. 36 V - 40 V max
Capacité	0,8 L
Dimensions (L x P x H)	235 mm x 322 mm x 307 mm (9-1/4" x 12-5/8" x 12-1/8") (sans batterie)
Poids net *1 (La valeur combinée de la bouilloire et du socle d'alimentation)	2,8 - 5,9 kg (6,2 - 13,0 lbs) (avec batteries)
Poids net (La bouilloire seule)	1,0 kg (2,2 lbs)
Poids net (Le socle d'alimentation uniquement)	1,1 kg (2,4 lbs) (sans batterie)
Temps estimé pour l'ébullition *2	Environ 8 min (lorsqu'on fait bouillir 0,8 L 23 °C (73,4 °F) l'eau à la température ambiante est de 23 °C (73,4 °F))

*1 Les combinaisons la plus légère et la plus lourde de la bouilloire, du socle d'alimentation et des batteries sont indiquées dans le tableau.

*2 Les valeurs peuvent varier suivant le type de batterie, l'état de charge et les conditions d'utilisation.

- Étant donné l'évolution constante de notre programme de recherche et développement, les spécifications contenues dans ce manuel sont sujettes à modification sans préavis.
- Les spécifications peuvent varier suivant les pays.

Quantité d'eau qu'il est possible de faire bouillir

Batterie (entièrement chargée)	Quantité d'eau qu'il est possible de faire bouillir*
BL4020 x 2	1,1 L
BL4025 x 2	1,2 L
BL4040 x 2	2,2 L
BL4050F x 2	3,0 L
BL4080F x 2	4,9 L
PDC1200	11,4 L

* Lorsqu'on fait bouillir 23 °C (73,4 °F) l'eau à la température ambiante est de 23 °C (73,4 °F)

NOTE : Les quantités sont approximatives et peuvent varier suivant le type de batterie, l'état de charge et les conditions d'utilisation.

NOTE : La quantité d'eau qui peut être portée à ébullition avec une batterie est d'environ la moitié de la quantité lorsqu'on utilise deux batteries.

Batteries et chargeurs applicables

Batterie	BL4020 / BL4025 / BL4040 / BL4050F / BL4080F
Chargeur	DC40RA / DC40RB / DC40RC

- Suivant la région où vous habitez, il se peut que certaines des batteries et certains des chargeurs énumérés ci-dessus ne soient pas disponibles.

⚠ MISE EN GARDE : Utilisez exclusivement les batteries et chargeurs énumérés ci-dessus. L'utilisation de toute autre batterie ou tout autre chargeur peut entraîner une blessure et/ou un incendie.





Source d'alimentation connectée au cordon recommandée

Support d'alimentation portable	PDC1200
---------------------------------	---------

- Suivant la région où vous habitez, il se peut que la ou les batteries connectées au cordon énumérées ci-dessus ne soient pas disponibles.
- Avant d'utiliser la batterie connectée au cordon, lisez les instructions et indications de mise en garde qui se trouvent sur celle-ci.

Symboles

Les symboles utilisés pour l'outil sont indiqués ci-dessous.

	volts
	courant continu
	Mise en garde : Surface chaude. Risque de brûlures. Ne touchez pas à l'appareil avant qu'il ait refroidi.
	Une batterie représentative applicable à ce produit.

CONSIGNES DE SÉCURITÉ

Consignes de sécurité pour bouilloire sans fil

▲ MISE EN GARDE : IMPORTANT! VEUILLEZ LIRE ATTENTIVEMENT toutes les consignes de sécurité et toutes les instructions AVANT L'UTILISATION. La non-observation des mises en garde et instructions comporte un risque de décharge électrique, d'incendie et/ou de blessure grave.

- N'utilisez aucun accessoire qui n'est pas recommandé par le fabricant.** Dans le cas contraire, un problème imprévu pourrait survenir.
- Ne touchez pas les surfaces chaudes.** Les surfaces pourraient devenir chaudes pendant l'utilisation.
- N'utilisez pas l'appareil près d'une atmosphère explosive.** Dans le cas contraire, des brûlures ou un incendie pourraient survenir.
- N'utilisez pas l'appareil proche de sources de chaleur (un four, etc.).**
- N'utilisez pas l'appareil à des endroits humides ou mouillés, et ne l'exposez pas à la pluie.** Dans le cas contraire, de l'eau pourrait entrer dans l'appareil et une décharge électrique pourrait se produire.
- Mettez l'appareil sur une surface stable plate.**
- N'obstruez pas le bec lors de l'ébullition.** La vapeur ne pourra s'échapper et cela pourrait causer une défaillance ou des blessures.
- Laissez l'appareil refroidir avant de le nettoyer.** Sinon, des brûlures pourraient survenir.
- Faites attention de ne pas renverser l'appareil lorsqu'il contient de l'eau.** Le dispositif anti-déversement n'est pas complètement étanche. L'eau pourrait se déverser même si le dispositif anti-déversement est activé.
- Positionnez l'appareil de façon à ce que les murs ou l'ameublement ne soient pas exposés à la vapeur.** Sinon, une décoloration, une déformation, ou la formation de fissures peuvent en découler.
- Ne faites bouillir que de l'eau. Ne faites bouillir rien d'autre que de l'eau, comme du lait, du thé ou de la soupe, etc.** Dans le cas contraire, le contenu pourrait être éjecté et causer des blessures, ou l'appareil pourrait devenir sale ou une défaillance pourrait survenir.
- Ne mettez rien d'autre que de l'eau dans la bouilloire, comme une bouteille, une tasse, etc.** Dans le cas contraire, l'eau pourrait être éjectée et causer des blessures, ou l'appareil pourrait devenir sale ou une défaillance pourrait survenir.
- N'ouvrez pas le couvercle immédiatement après l'ébullition.** Dans le cas contraire, de l'eau bouillante pourrait couler et causer des brûlures.

▲ MISE EN GARDE : NE vous laissez PAS tromper (au fil d'une utilisation répétée) par un sentiment d'aisance ou de familiarité avec le produit en négligeant les consignes de sécurité qui accompagnent le produit. UNE UTILISATION INCORRECTE ou le non-respect des règles de sécurité énoncées dans le présent manuel d'instructions peut provoquer des blessures graves.

Consignes de sécurité pour l'appareil à batterie

Utilisation et entretien de l'appareil à batterie

- Prévenez le démarrage accidentel. Assurez-vous que l'interrupteur est sur la position d'arrêt avant de connecter la batterie, de ramasser l'appareil ou de le transporter.** Transporter l'appareil avec le doigt sur l'interrupteur, ou mettre l'appareil sous tension avec l'interrupteur en position de marche ouvre la porte aux accidents.
- Déconnectez la batterie de l'appareil avant d'effectuer tout réglage, de remplacer les accessoires ou de ranger l'appareil.** De telles mesures de prévention réduisent le risque de démarrage accidentel de l'appareil.
- Pour recharger, utilisez uniquement le chargeur spécifié par le fabricant.** L'utilisation d'un chargeur conçu pour un type donné de bloc-piles comporte un risque d'incendie lorsqu'il est utilisé avec un autre type de bloc-piles.
- Utilisez les appareils uniquement avec les batteries spécifiquement désignées.** L'utilisation d'autres batteries peut présenter un risque de blessure et d'incendie.
- Lorsque vous n'utilisez pas le bloc-piles, rangez-le à l'écart des objets métalliques tels que trombones, pièces de monnaie, clés, clous, vis ou autres petits objets métalliques qui risqueraient d'établir une connexion entre les bornes.** La mise en court-circuit des bornes de batterie peut causer des brûlures ou un incendie.
- Dans des conditions d'utilisation inadéquates de la batterie, il peut y avoir fuite d'électrolyte; évitez tout contact avec ce liquide. En cas de contact accidentel, rincez avec beaucoup d'eau. Si le liquide pénètre dans vos yeux, il faut aussi consulter un médecin.** L'électrolyte qui s'échappe de la batterie peut causer des irritations ou des brûlures.
- N'utilisez pas une batterie ou un appareil endommagé ou modifié.** Les batteries endommagées ou modifiées peuvent avoir un comportement imprévisible dont peut résulter un incendie, une explosion ou un risque de blessure.
- N'exposez pas une batterie ou un appareil au feu ou à une température excessive.** L'exposition au feu ou à une température supérieure à 130 °C peut entraîner une explosion.

9. **Respectez toutes les instructions de charge, et ne chargez pas la batterie ou l'appareil hors de la plage de température spécifiée dans les instructions.** Charger de manière inadéquate ou à des températures hors de la plage spécifiée peut endommager la batterie et augmenter le risque d'incendie.
10. **Confiez l'entretien à un réparateur qualifié et n'utilisez que des pièces de rechange identiques aux pièces d'origine.** Cela assurera le maintien du produit dans un état sécuritaire.
11. **Ne modifiez pas, ou n'essayez pas de réparer l'appareil ou la batterie autrement que comme indiqué dans les instructions d'utilisation et d'entretien.**
11. **Lors de l'élimination de la batterie, retirez-la de l'appareil et éliminez-la dans un endroit sûr. Respectez la réglementation locale concernant l'élimination de la batterie.**
12. **N'utilisez les batteries qu'avec les produits spécifiés par Makita.** Installer les batteries sur des produits non conformes peut entraîner un incendie, une chaleur excessive, une explosion ou une fuite d'électrolyte.
13. **Si l'appareil reste inutilisé pendant une période prolongée, la batterie doit en être retirée.**
14. **Pendant et après l'utilisation, la batterie peut accumuler de la chaleur, ce qui peut causer des brûlures ou des brûlures à basse température. Faites attention lors de la manipulation des batteries chaudes.**

Consignes de sécurité importantes pour la batterie

1. **Avant d'utiliser la batterie, lisez toutes les instructions et les mises en garde apposées sur (1) le chargeur de batterie, (2) la batterie et (3) le produit utilisant la batterie.**
2. **Ne démontez pas et ne modifiez pas la batterie.** Cela peut entraîner un incendie, une chaleur excessive ou une explosion.
3. **Cessez immédiatement l'utilisation si le temps de fonctionnement devient excessivement court. Il y a risque de surchauffe, de brûlures, voire d'explosion.**
4. **Si l'électrolyte pénètre dans vos yeux, rincez-les à l'eau claire et consultez immédiatement un médecin. Il y a risque de perte de la vue.**
5. **Ne court-circuitez pas la batterie :**
 - (1) **Ne touchez les bornes avec aucun matériau conducteur.**
 - (2) **Évitez de ranger la batterie dans un conteneur avec d'autres objets métalliques tels que clous, pièces de monnaie, etc.**
 - (3) **Évitez d'exposer la batterie à l'eau ou à la pluie. Un court-circuit de la batterie pourrait provoquer un fort courant, une surchauffe, parfois des brûlures et même une panne.**
6. **Ne rangez pas et n'utilisez pas l'appareil ou la batterie dans des endroits où la température peut atteindre ou dépasser 50 °C (122 °F).**
7. **Ne jetez pas la batterie au feu même si elle est sérieusement endommagée ou complètement épuisée. La batterie peut exploser au contact du feu.**
8. **Évitez de clouer, de couper, d'écraser, de lancer ou d'échapper la batterie, ou de heurter un objet dur contre la batterie.** Cela peut entraîner un incendie, une chaleur excessive ou une explosion.
9. **N'utilisez pas une batterie si elle est endommagée.**
10. **Les batteries lithium-ion fournies sont soumises aux exigences de la législation sur les marchandises dangereuses.**
11. **Ne touchez pas la borne de l'appareil immédiatement après l'utilisation, car elle peut être assez chaude pour causer des brûlures.**
12. **Ne laissez pas des copeaux, de la poussière ou de la terre se coincer dans les bornes, les trous et les rainures de la batterie.** Cela peut entraîner un fonctionnement médiocre ou une panne de l'appareil ou de la batterie.
13. **À moins que l'appareil ne soit compatible avec l'utilisation à proximité des lignes électriques haute tension, n'utilisez pas la batterie à proximité d'une ligne électrique haute tension.** Cela peut entraîner un dysfonctionnement ou une panne de l'appareil ou de la batterie.
14. **Gardez la batterie à l'écart des enfants.**

CONSERVEZ CES INSTRUCTIONS.

⚠ ATTENTION : Utilisez exclusivement les batteries fabriquées par Makita. Les batteries autres que celles fabriquées par Makita ou les batteries modifiées peuvent exploser et causer un incendie, une blessure ou des dommages. Cela annule aussi la garantie Makita de l'appareil et du chargeur Makita.

Conseils pour maintenir la durée de service maximale de la batterie

1. **Rechargez la batterie avant qu'elle ne soit complètement déchargée. Arrêtez toujours l'appareil et rechargez la batterie quand vous remarquez que la puissance de l'appareil diminue.**
 2. **Ne rechargez jamais une batterie complètement chargée. La surcharge réduit la durée de service de la batterie.**
 3. **Chargez la batterie à une température ambiante comprise entre 10 °C et 40 °C (50 °F et 104 °F). Si la batterie est chaude, laissez-la refroidir avant de la charger.**
 4. **Lorsque vous n'utilisez pas la batterie, retirez-la de l'appareil ou du chargeur.**
 5. **Chargez la batterie si elle est restée inutilisée pendant une période prolongée (plus de six mois).**
- Des exigences particulières sur l'emballage et l'étiquetage doivent être respectées lors du transport commercial par des tiers, des transitaires, etc. Pour préparer la marchandise à expédier, consultez un expert en matériaux dangereux si nécessaire. Respectez aussi les éventuelles réglementations nationales plus détaillées. Recouvrez de ruban isolant les contacts exposés, et emballez la batterie de sorte qu'elle ne puisse pas se déplacer à l'intérieur de l'emballage.

DESCRIPTION DES PIÈCES

Bouilloire

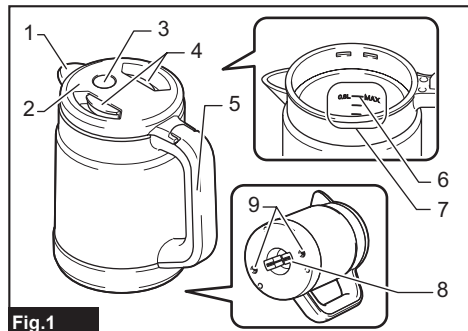


Fig.1

1	Bec	2	Couvercle
3	Bouton de verrouillage anti-déversement	4	Bouton d'ouverture de couvercle
5	Poignée	6	Ligne de niveau max.
7	Échelle de volume d'eau	8	Connecteur d'alimentation (côté inférieur)
9	Capteur de température	-	-

Socle d'alimentation

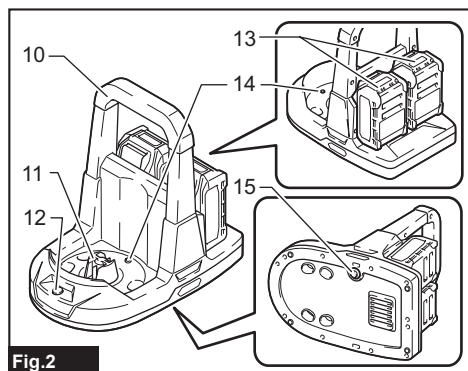


Fig.2

10	Poignée de transport	11	Connecteur d'alimentation
12	Interrupteur	13	Batterie
14	Capteur de température	15	Élément de détection de la terre

DESCRIPTION DU FONCTIONNEMENT

ATTENTION : Assurez-vous toujours que l'appareil est éteint et que sa batterie est retirée avant de l'ajuster ou de vérifier son fonctionnement.

Installation ou retrait de la batterie

ATTENTION : Éteignez toujours l'appareil avant d'installer ou de retirer la batterie.

ATTENTION : Tenez fermement l'appareil et la batterie lors de l'installation ou du retrait de cette dernière. Sinon, l'appareil et la batterie pourraient vous glisser des mains, ce qui risque d'endommager l'appareil et la batterie, ou encore de provoquer des blessures.

Pour retirer la batterie, faites-la glisser de l'appareil tout en faisant glisser le bouton qui se trouve à l'avant de la batterie.

Pour installer la batterie, alignez sa languette sur la rainure pratiquée dans le boîtier, et glissez la batterie en place. Insérez-la à fond jusqu'à ce que vous entendiez un léger déclic. Si vous pouvez voir l'indicateur rouge sur le dessus du bouton, la batterie n'est pas complètement verrouillée.

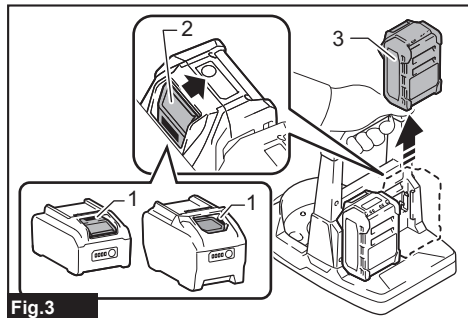


Fig.3

► 1. Indicateur rouge 2. Bouton 3. Batterie

ATTENTION : Installez toujours la batterie à fond jusqu'à ce que vous ne puissiez plus voir l'indicateur rouge. Autrement elle risque de tomber accidentellement de l'outil et d'entraîner des blessures.

ATTENTION : Ne forcez pas sur la batterie pour l'installer. Si la batterie ne glisse pas facilement, c'est qu'elle n'est pas insérée correctement.

NOTE : Jusqu'à deux batteries peuvent être installées, même si l'appareil n'en utilise qu'une seule pour son fonctionnement.

Affichage de la charge restante de la batterie

Appuyez sur le bouton de vérification de la batterie pour afficher la charge restante de la batterie. Les témoins indicateurs s'allument pendant quelques secondes.

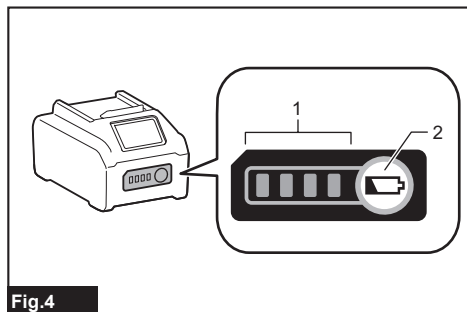


Fig.4

► 1. Témoins indicateurs 2. Bouton de vérification

Témoins indicateurs			Charge restante
Allumé	Éteint	Cliquant	
■	□	◐	75 % à 100 %
■ ■ ■ ■	□ □ □ □		
	■ ■ ■ ■	□ □ □ □	50 % à 75 %
	■ ■ ■ ■	□ □ □ □	
	■ ■ □ □	□ □ □ □	25 % à 50 %
	■ ■ □ □	□ □ □ □	
	■ □ □ □	□ □ □ □	0 % à 25 %
	■ □ □ □	□ □ □ □	
	◐ □ □ □	□ □ □ □	Chargez la batterie.
	◐ □ □ □	□ □ □ □	
	■ ■ □ □	□ □ □ □	La batterie a peut-être mal fonctionné.
	□ □ ■ ■	□ □ □ □	

NOTE : Suivant les conditions d'utilisation et la température ambiante, il se peut que l'indication soit légèrement différente de la charge réelle.

NOTE : La première lampe témoin (à l'extrémité gauche) cliquète lorsque le dispositif de protection de la batterie s'active.

Dispositif de protection de l'appareil et de la batterie

L'appareil et la batterie sont équipés d'un dispositif de protection. Ce dispositif coupe automatiquement l'alimentation du moteur pour prolonger la durée de service de l'appareil et de la batterie. L'appareil s'arrête automatiquement pendant l'utilisation lorsque l'appareil ou la batterie se trouve dans l'une des situations suivantes :

- Protection contre la surcharge : Lorsque l'appareil ou la batterie est utilisé d'une manière entraînant une consommation anormale de courant, il s'arrête automatiquement sans aucune indication. Le cas échéant, éteignez l'appareil et cessez l'application qui a causé la surcharge de l'appareil. Allumez ensuite l'appareil pour redémarrer.

- Protection contre la surchauffe : Lorsque l'appareil ou la batterie surchauffe, il s'arrête automatiquement. Laissez refroidir l'appareil avant de le rallumer.
- Protection contre la décharge excessive : Lorsque la charge de la batterie devient faible, l'appareil s'arrête automatiquement. Si l'appareil ne fonctionne pas même lorsque vous activez les interrupteurs, retirez la batterie de l'appareil et rechargez-la.

Protections contre d'autres causes

Le dispositif de protection est aussi conçu pour d'autres causes qui pourraient endommager l'appareil et permet d'arrêter automatiquement l'appareil. Prenez toutes les mesures suivantes pour éliminer les causes lorsque le fonctionnement de l'appareil a été interrompu temporairement ou arrêté.

1. Éteignez l'appareil et remettez-le de nouveau en marche.
2. Chargez la/les batterie(s) ou remplacez-la/les par une/des batteries rechargée(s).
3. Laissez l'appareil et la/les batteries se refroidir.

Si la situation ne s'améliore pas en restaurant le système de protection, contactez votre centre de service Makita local.

Utilisation de l'appareil avec une source d'alimentation connectée au cordon

Avant d'utiliser la source d'alimentation connectée au cordon, lisez les instructions et indications de mise en garde qui se trouvent sur celle-ci.

⚠ MISE EN GARDE : Lors de l'utilisation de l'appareil avec la source d'alimentation connectée au cordon, mettez la source d'alimentation connectée au cordon sur une surface stable. Cet appareil est utilisé en position statique. L'utilisation de la source d'alimentation connectée au cordon que vous transportez sur votre dos pourrait causer un accident dû à une chute.

UTILISATION

Préparation

Lors de l'utilisation de l'appareil pour la première fois ou après une période d'entreposage prolongée, effectuez les étapes suivantes.

1. Retirez l'ensemble du matériel d'emballage de l'appareil.
2. Nettoyez l'intérieur de la bouilloire et le filtre. Il pourrait y avoir de la saleté, telle que de la poussière sur ceux-ci.

consultez le chapitre « ENTRETIEN » pour connaître la manière de procéder au nettoyage.

Faire bouillir de l'eau

⚠ ATTENTION : Ne faites bouillir que de l'eau. Ne faites bouillir rien d'autre que de l'eau.

⚠ ATTENTION : Ne mettez pas l'appareil sur une surface instable, un endroit où passent beaucoup de gens ou un emplacement que des enfants pourraient atteindre. Dans le cas contraire, l'appareil pourrait être renversé par accident et causer des blessures.

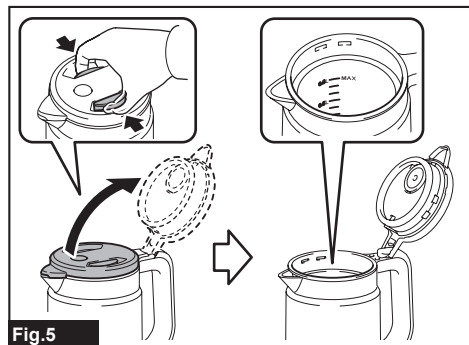
⚠ ATTENTION : Lorsque vous fermez le couvercle, poussez-le solidement et mettez le bouton de verrouillage anti-déversement en position verrouillée. Dans le cas contraire, des brûlures pourraient survenir lorsque la chute accidentelle se produit.

1. Ouvrez le couvercle tout en enfonçant les deux boutons d'ouverture de couvercle.
2. Versez la quantité d'eau tiède potable de votre choix dans la bouilloire. Puis, fermez le couvercle.

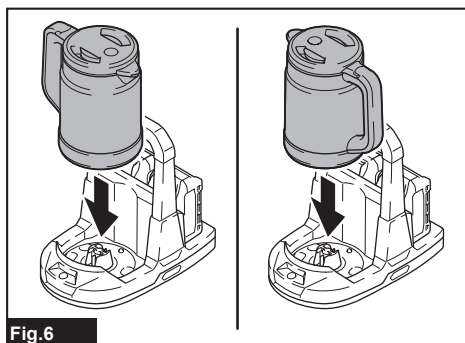
⚠ ATTENTION : Assurez-vous que le bouton de verrouillage anti-déversement est verrouillé en place. Dans le cas contraire, l'eau bouillante pourrait se renverser par accident et causer des brûlures.

⚠ ATTENTION : Ne remplissez pas l'eau au-delà de la ligne de niveau max. Dans le cas contraire, l'eau bouillante pourrait être éjectée et causer des brûlures.

AVIS : Évitez les brûlures sans eau, ne mettez pas l'appareil en marche s'il ne contient pas d'eau. Dans le cas contraire, une décoloration ou une défaillance pourrait survenir.

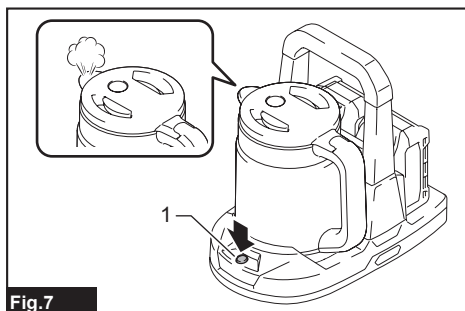


3. Mettez la bouilloire sur le socle d'alimentation.



4. Appuyez sur l'interrupteur.

L'interrupteur s'allume en orange en émettant un seul bip, puis l'ébullition commence.



- 1. Interrupteur

⚠ ATTENTION : Assurez-vous que le couvercle est fermé. Sinon, un grand volume de vapeur pourrait être libéré et des brûlures pourraient survenir.

⚠ ATTENTION : Assurez-vous que le bouton de verrouillage anti-déversement est en position verrouillée. Sinon, un grand volume de vapeur pourrait être libéré et des brûlures pourraient survenir.

⚠ ATTENTION : Ne touchez pas la vapeur. Risque de brûlures.



⚠ ATTENTION : Ne touchez pas autour de la marque ⚠ et de la pièce métallique située dans la figure pendant l'ébullition ou un certain temps après l'ébullition. Risque de brûlures.

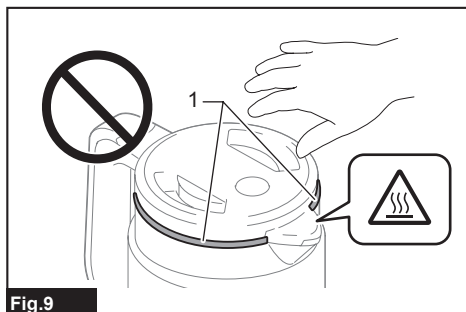


Fig.9

► 1. Pièce métallique qui pourrait être extrêmement chaude

NOTE : Si vous appuyez sur l'interrupteur directement après l'opération d'ébullition, l'appareil pourrait ne pas fonctionner en raison de la protection contre la température élevée. Dans ce cas, laissez l'appareil refroidir, puis appuyez sur l'interrupteur de nouveau.

Une fois l'ébullition terminée, l'appareil s'éteint automatiquement en émettant des bips pendant quelques secondes.

NOTE : Lorsque vous soulevez la bouilloire ou le socle d'alimentation pendant l'ébullition, l'appareil cesse de bouillir et l'interrupteur clignote en orange.

— Si vous retournez la bouilloire ou le socle d'alimentation pendant que l'interrupteur clignote, l'appareil redémarre l'ébullition automatiquement.

— Quelques secondes après avoir soulevé la bouilloire ou le socle d'alimentation, l'appareil s'éteint.

NOTE : Lorsque la charge de la batterie devient faible pendant l'ébullition, l'appareil s'éteint et l'interrupteur clignote en rouge pendant quelques secondes et émet trois bips.

NOTE : Si vous mettez l'appareil en marche alors que la charge de toutes les batteries est faible, l'appareil s'éteint après quelques secondes en émettant un bip unique.

5. Soulevez la bouilloire tout en tenant la poignée de transport du socle d'alimentation.

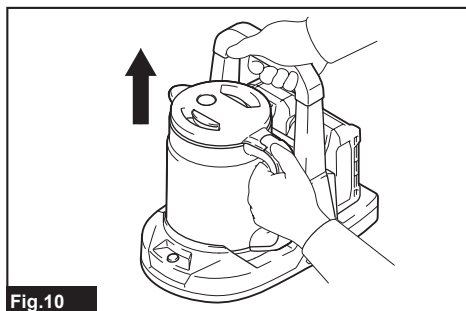


Fig.10

6. Versez l'eau.

⚠ ATTENTION : Prenez soin de ne pas vous brûler pendant que vous versez l'eau bouillante.

Le bouton de verrouillage anti-déversement est fourni pour éviter un déversement accidentel d'eau. Enfoncez le bouton de verrouillage anti-déversement pour verser l'eau.

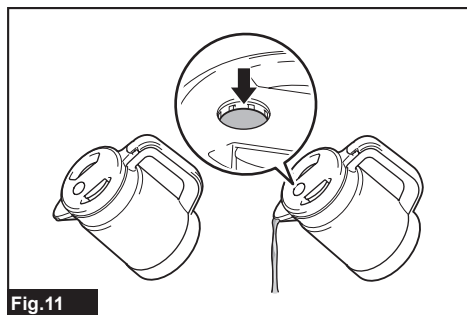


Fig.11

Transport

⚠ MISE EN GARDE : Ne transportez pas la bouilloire avec le socle d'alimentation pendant qu'il y a de l'eau qui chauffe ou qui bout dans la bouilloire. Dans le cas contraire, des brûlures pourraient survenir lorsque la chute accidentelle se produit.

Lorsque vous transportez l'appareil, tenez la poignée de transport.

ENTRETIEN

⚠ MISE EN GARDE : Toutes les pièces devraient être remplacées dans un centre de service après-vente agréé.

⚠ ATTENTION : Assurez-vous toujours que l'appareil est éteint et débranché, et que la batterie est retirée avant d'y effectuer tout travail d'inspection ou d'entretien.

⚠ ATTENTION : Ne touchez pas la bouilloire immédiatement après avoir retiré l'eau bouillie. Attendez que la bouilloire soit complètement refroidie. Sinon, une brûlure pourrait survenir.

⚠ ATTENTION : Assurez-vous que la bouilloire est vide avant de procéder à l'inspection ou à l'entretien. Autrement des accidents peuvent se produire.

Nettoyage

Extérieur de l'appareil

Une fois l'appareil refroidi, nettoyez l'extérieur de l'appareil en utilisant des chiffons propres. Si l'appareil est très sale, utilisez un chiffon humide imbibé d'eau savonneuse. Puis, essuyez l'eau avec un chiffon sec.

Fig.12

AVIS : N'utilisez jamais d'essence, de benzine, de solvant, d'alcool ou autres produits similaires. Une décoloration, une déformation ou la formation de fissures peuvent en découler.

AVIS : N'utilisez pas de lave-vaisselle, de séchoir à vaisselle ou de sèche-cheveux avec l'appareil.

AVIS : N'utilisez pas de poudre à polir, d'eau de javel, de poudre à nettoyer, de brosse à récurer métallique, de brosse à récurer enduite de produits chimiques, etc.

AVIS : Ne lavez pas la bouilloire et le socle d'alimentation. Ne mouillez pas le connecteur d'alimentation.

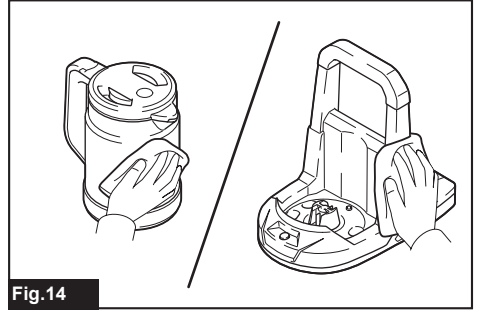


Fig.14

Intérieur de la bouilloire

Retirez le couvercle en le tirant hors de la bouilloire, comme illustré dans la figure.

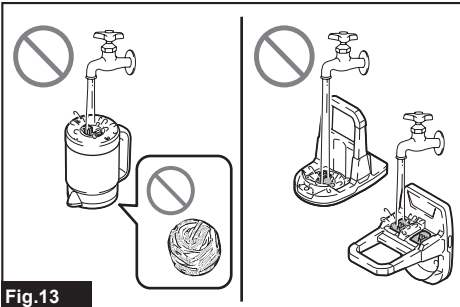


Fig.13

Pour maintenir la SÉCURITÉ et la FIABILITÉ du produit, les réparations et tout autre travail d'entretien ou de réglage doivent être effectués dans un centre de service après-vente autorisé ou une usine Makita, exclusivement avec des pièces de rechange Makita.

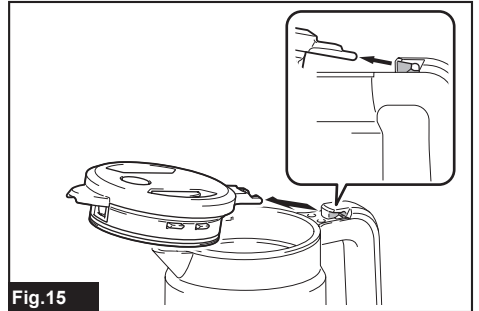


Fig.15

Rincez bien avec de l'eau, puis séchez l'intérieur.

Filtere

Retirez le filtre en le tirant hors du couvercle, comme illustré dans la figure.

Lavez le filtre, puis séchez-le.

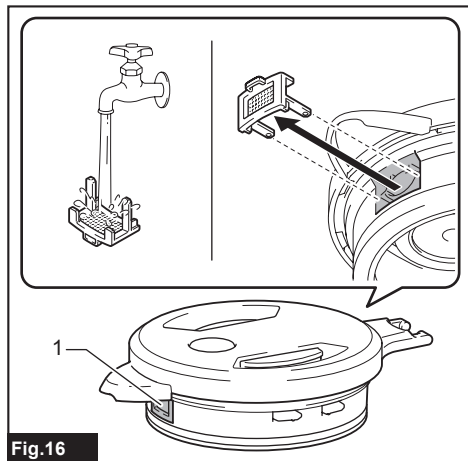


Fig.16

► 1. Filtre

Pour installer le filtre et le couvercle, suivez la procédure de dépose dans le sens inverse.

Retrait du tartre à l'intérieur de la bouilloire

Au fil de l'utilisation de l'appareil, du tartre s'accumulera dans la bouilloire. Le tartre rend l'ébullition inefficace. Si l'on peut observer du tartre, nettoyez l'intérieur de la bouilloire avec de l'acide citrique.

1. Ouvrez le couvercle et retirez le filtre du couvercle.
2. Versez de l'eau jusqu'à la ligne de niveau max. dans la bouilloire.
3. Ajoutez 40 g (1,4 oz) d'acide citrique vendu commercialement dans l'eau et mélangez-la. Puis, fermez le couvercle.
4. Mettez la bouilloire sur le socle d'alimentation.
5. Appuyez sur l'interrupteur.
6. Laissez la bouilloire inactive pendant environ une heure après la fin de l'ébullition.
7. Videz l'eau et rincez l'intérieur de la bouilloire avec de l'eau.
8. Si vous goûtez ou sentez l'acide citrique, faites bouillir l'eau uniquement et videz-la.

Si la saleté est difficile à enlever, répétez les étapes 2 à 7.

9. Séchez la bouilloire et installez le filtre sur le couvercle.

Rangement

Pour éviter tout risque d'incendie ou de brûlure, laissez refroidir l'appareil complètement avant de le ranger. Ne rangez pas la batterie déchargée pendant de longues périodes, car cela pourrait réduire sa durée de service.

DÉPANNAGE

Avant de faire une demande de réparation, faites d'abord votre propre inspection. Si vous rencontrez un problème non indiqué dans ce manuel, n'essayez pas de démonter la machine. Demandez plutôt à un centre de service après-vente Makita agréé de faire la réparation avec des pièces de rechange Makita.

Symptôme	Cause probable	Solution
Ne fonctionne pas.	Les batteries sont mal installées.	Installez les batteries tel que décrit dans ce manuel.
	Les batteries sont épuisées.	Chargez les batteries.
L'appareil s'éteint avec un bip peu après avoir mis l'appareil en marche.	Le capteur de température détecte une température élevée, car l'interrupteur a été enfoncé immédiatement après l'ébullition.	Laissez l'appareil éteint pendant quelques minutes pour le laisser refroidir.
L'appareil s'éteint avec l'interrupteur qui clignote en orange peu après avoir mis en marche l'appareil.	La borne du capteur de température est sale.	Essuyez la saleté du capteur de température à l'aide d'un chiffon sec.
	Le socle d'alimentation est incliné ou placé sur une surface instable.	Mettez l'appareil sur une surface stable, au niveau et plate.
Même si l'opération d'ébullition n'est pas terminée, l'appareil s'éteint en émettant des bips pendant quelques secondes, comme lorsque l'ébullition est terminée.	La borne du capteur de température est sale.	Essuyez la saleté du capteur de température à l'aide d'un chiffon sec.
	La bouilloire ne repose pas correctement sur le socle d'alimentation, car de la poussière ou une matière similaire est prise entre la bouilloire et le socle d'alimentation.	Retirez toute poussière de la base de la bouilloire ou du socle d'alimentation.
L'interrupteur n'arrête pas de clignoter en rouge. (Et l'interrupteur s'éteint après environ 10 minutes par la suite.)	Le connecteur d'alimentation est sur la bouilloire et/ou le socle d'alimentation est sale.	Retirez la batterie et essuyez la saleté sur le connecteur d'alimentation en utilisant un chiffon sec.
L'eau bouillante déborde.	L'eau dépasse la ligne de niveau max.	Enlevez de l'eau jusqu'à la ligne de niveau max.
	N'importe quelle autre substance que de l'eau se trouve dans la bouilloire.	Ne faites bouillir rien d'autre que de l'eau.
Odeur de l'eau bouillante.	Le chlore dans l'eau du robinet pourrait avoir une odeur.	
	L'odeur de la résine juste après le déballage se dissipera avec le temps.	
Gouttes d'eau sur le socle d'alimentation.	De la condensation peut apparaître sur l'appareil en raison de la vapeur de l'eau bouillante.	
L'eau bouillante fuit lorsque la bouilloire est inclinée.	Il y a une ouverture dans le bec. Même si le bouton de couvercle est en position verrouillée, l'eau fuit lorsque la bouilloire est inclinée.	

ACCESSOIRES EN OPTION

⚠ ATTENTION : Ces accessoires ou pièces complémentaires sont recommandés pour l'utilisation avec l'appareil Makita spécifié dans ce manuel. L'utilisation de tout autre accessoire ou pièce complémentaire peut comporter un risque de blessure. N'utilisez les accessoires ou pièces complémentaires qu'aux fins auxquelles ils ont été conçus.

Si vous désirez obtenir plus de détails sur ces accessoires, veuillez contacter le centre de service après-vente Makita le plus près.

- Batterie d'origine Makita et chargeur autorisé Makita

NOTE : Certains éléments de la liste peuvent être inclus avec l'outil comme accessoires standards. Ils peuvent varier suivant les pays.

GARANTIE LIMITÉE MAKITA

Pour les conditions de garantie en vigueur qui s'appliquent à ce produit, veuillez vous reporter à la feuille de garantie en annexe. Si la feuille de garantie en annexe n'est pas disponible, reportez-vous aux détails de la garantie présentés sur le site Web de votre pays, ci-dessous.

États-Unis d'Amérique: www.makitatools.com

Canada: www.makita.ca

Autres pays: www.makita.com

MEDIDAS DE SEGURIDAD IMPORTANTES

Cuando use aparatos eléctricos, siempre deben seguirse las precauciones básicas de seguridad, incluyendo las siguientes:

- **Lea todas las instrucciones.**
- **No toque las superficies calientes. Use los mangos o las manijas.**
- **Para protegerse contra incendios, descargas eléctricas y lesiones a personas, no sumerja las clavijas, la batería o el cargador en agua u otro líquido.**
- **Es necesaria una estrecha supervisión cuando los niños utilizan cualquier aparato o se está cerca de ellos.**
- **Retire el cartucho de batería cuando no esté en uso, y antes de limpiarlo. Deje que se enfríe antes de ponerle o quitarle piezas, y antes de limpiar el aparato.**
- **No operen ningún aparato después de que este falle, o se ha dañado de alguna forma. Lleve el aparato al centro de servicio autorizado más cercano para verificarlo, para su reparación o ajuste.**
- **El uso de accesorios no recomendados por el fabricante del aparato podría provocar incendios, descargas eléctricas o lesiones a las personas.**
- **No lo utilice en exteriores.**
- **No lo coloque en o cerca de un quemador caliente a gas o eléctrico, o dentro de un horno caliente.**
- **siempre apague el interruptor de alimentación antes de quitar el cartucho de batería.**
- **Utilice el aparato únicamente para los fines para los que fue diseñado.**
- **No abra la tapa mientras hierve agua.**
- **Podrían ocurrir escaldaduras si la tapa se retira mientras se hierve agua.**
- **Este aparato está diseñado para usarse en el hogar.**
- **No llene el aparato excesivamente con agua. Podría salir expulsada el agua hirviendo y ocasionar una lesión por quemadura.**
- **Es un aparato que funciona con baterías, la batería se carga fuera del aparato.**
- **Las baterías recargables deben retirarse del aparato antes de cargarse.**
- **Las baterías deben insertarse con la polaridad correcta.**
- **Las pilas gastadas deben retirarse del aparato y desecharse de forma segura.**
- **Evite el derrame de líquidos sobre los conectores de la fuente de alimentación o sobre las terminales de batería.**
- **Este aparato es un hervidor de agua para hervir agua, y existe la posibilidad de lesiones por su mal uso.**

GUARDE ESTAS INSTRUCCIONES

ESPECIFICACIONES

Modelo:	KT001G
Tensión nominal	36 V - 40 V c.c. máx.
Capacidad	0,8 L
Dimensiones (La x An x Al)	235 mm x 322 mm x 307 mm (9-1/4" x 12-5/8" x 12-1/8") (sin cartucho de batería)
Peso neto *1 (El valor combinado del hervidor y el soporte de la fuente de alimentación)	2,8 kg - 5,9 kg (6,2 lbs - 13,0 lbs) (con cartuchos de batería)
Peso neto (el hervidor solamente)	1,0 kg (2,2 lbs)
Peso neto (el soporte de la fuente de alimentación solamente)	1,1 kg (2,4 lbs) (sin cartucho de batería)
Tiempo de ebullición estimado *2	aprox. 8 min. (cuando se ponen a hervir 0,8 L 23 °C (73,4 °F) de agua a temperatura ambiente de 23 °C (73,4 °F))

*1 La combinación de menor y mayor peso del hervidor, el soporte de la fuente de alimentación y de los cartuchos de batería se muestra en la tabla.

*2 Los valores pueden variar en función del tipo de batería, el estado de la carga y la condición de uso.

- Debido a nuestro continuo programa de investigación y desarrollo, las especificaciones aquí incluidas están sujetas a cambio sin previo aviso.
- Las especificaciones pueden variar de país a país.

Cantidad de agua que se puede hervir

Cartucho de batería (completamente cargado)	Cantidad de agua que se puede hervir*
BL4020 x 2	1,1 L
BL4025 x 2	1,2 L
BL4040 x 2	2,2 L
BL4050F x 2	3,0 L
BL4080F x 2	4,9 L
PDC1200	11,4 L

* Cuando se pone a hervir agua a 23 °C (73,4 °F) a temperatura ambiente de 23 °C (73,4 °F)

NOTA: Las cantidades son aproximadas y pueden variar en función del tipo de batería, el estado de la carga y la condición de uso.

NOTA: La cantidad de agua que se puede hervir con una batería es de alrededor de la mitad de la cantidad cuando se utilizan dos baterías.

Cartucho de batería y cargador aplicables

Cartucho de batería	BL4020 / BL4025 / BL4040 / BL4050F / BL4080F
Cargador	DC40RA / DC40RB / DC40RC

- Algunos de los cartuchos de batería y cargadores enumerados arriba podrían no estar disponibles dependiendo de su área de residencia.

⚠ ADVERTENCIA: Use únicamente los cartuchos de batería y los cargadores indicados arriba. El uso de cualquier otro cartucho de batería y cargador podría ocasionar una lesión y/o un incendio.

Fuente de alimentación conectada por cable recomendada

Unidad portátil de alimentación eléctrica	PDC1200
---	---------

- El o los paquetes de baterías enumerados arriba podrían no estar disponibles dependiendo de su área de residencia.
- Antes de utilizar el paquete de baterías conectado por cable, lea las instrucciones e indicaciones de precaución sobre este/ sobre ellos.

Símbolos

A continuación se muestran los símbolos utilizados para la herramienta.

	volts o voltios
	corriente directa o continua
	Advertencia: Superficie caliente. Riesgo de quemaduras. No la toque hasta que se haya enfriado.
	Una batería representativa aplicable a este producto.

ADVERTENCIAS DE SEGURIDAD

Advertencias de seguridad para el hervidor inalámbrico

⚠️ ADVERTENCIA: ¡IMPORTANTE! ANTES DE USARLA, LEA CUIDADOSAMENTE todas las advertencias de seguridad, al igual que todas las instrucciones. El no seguir las advertencias e instrucciones podría ocasionar descargas eléctricas, incendios y/o lesiones graves.

1. **No utilice ningún accesorio no recomendado por el fabricante.** De lo contrario, podría ocurrir un imprevisto.
2. **No toque las superficies calientes.** Las superficies son propensas a calentarse durante el uso.
3. **No utilice el aparato cerca de una atmósfera explosiva.** De lo contrario, podrían ocurrir quemaduras o un incendio.
4. **No utilice el aparato cerca de fuentes de calor (estufas, etc.).**
5. **No utilice el aparato en lugares húmedos o mojados, ni lo exponga a la lluvia.** De lo contrario, podría entrar agua en el aparato y provocar una descarga eléctrica.
6. **Ponga el aparato sobre una superficie estable y plana.**
7. **No cubra el vertedero mientras se hierve líquido.** El vapor no podría escapar y podría ocasionar un mal funcionamiento o lesiones.
8. **Deje que el aparato se enfríe antes de limpiarlo.** De lo contrario, podría sufrir una lesión por quemaduras.
9. **Tenga cuidado de no acostar un aparato que contenga agua.** El bloqueo de escape no sella el agua por completo. El agua podría derramarse, incluso si el bloqueo de escape está activado.
10. **Coloque el aparato de modo que las paredes o los muebles no queden expuestos al vapor.** De lo contrario, puede que esto ocasione descoloramiento, deformación o grietas.
11. **Ponga a hervir agua solamente. No hierva otra cosa que no sea agua, por ejemplo leche, té o sopa, etc.** De lo contrario, el contenido podría salir despedido y causar lesiones, o el aparato podría ensuciarse o podría producirse un mal funcionamiento.

12. **No ponga nada que no sea agua en el hervidor, como una botella o una taza, etc.** De lo contrario, el agua podría salir despedida y causar lesiones, o el aparato podría ensuciarse o podría producirse un mal funcionamiento.
13. **No abra la tapa inmediatamente después de hervir el agua.** De lo contrario, podría gotear el agua hirviendo y ocasionar una lesión por quemadura.

⚠️ ADVERTENCIA: NO DEJE que la comodidad o familiaridad con el producto (a base de utilizarlo repetidamente) evite que siga estrictamente las normas de seguridad para dicho producto. El USO INCORRECTO o el no seguir las normas de seguridad indicadas en este manual de instrucciones puede ocasionar lesiones graves.

Advertencias de seguridad para el aparato con funcionamiento a baterías

Uso y cuidado del aparato con funcionamiento a baterías

1. **Evite un arranque accidental. Asegúrese de que el interruptor esté en la posición apagada antes de conectar el paquete de baterías, levantar el aparato o cargarlo.** Cargar el aparato con su dedo en el interruptor o pasar energía al aparato con el interruptor encendido puede propiciar accidentes.
2. **Desconecte el paquete de baterías del aparato antes de hacer cualquier ajuste, cambiar accesorios o almacenar el aparato.** Estas medidas de seguridad preventivas reducen el riesgo de poner en marcha el aparato accidentalmente.
3. **Recargue sólo con el cargador especificado por el fabricante.** Un cargador que es adecuado para un solo tipo de batería puede generar riesgo de incendio al ser utilizado con otra batería.
4. **Use los aparatos únicamente con los paquetes de baterías designados específicamente para ellos.** El uso de cualquier otro paquete de batería podría generar riesgo de lesión e incendio.
5. **Cuando no se esté usando la batería, manténgala alejada de otros objetos metálicos, como sujetapapeles (clips), monedas, llaves, clavos, tornillos u otros objetos pequeños de metal los cuales pueden actuar creando una conexión entre las terminales de la batería.** Originar un cortocircuito en las terminales puede causar quemaduras o incendios.
6. **En condiciones abusivas, podrá escapar líquido de la batería; evite tocarlo. Si lo toca accidentalmente, enjuague con agua. Si hay contacto del líquido con los ojos, busque asistencia médica.** Puede que el líquido expulsado de la batería cause irritación o quemaduras.
7. **No utilice un paquete de baterías o aparato que esté dañado o haya sido modificado.** Las baterías dañadas o modificadas pueden comportarse impredeciblemente provocando un incendio, explosión o riesgo de lesión.
8. **No exponga un paquete de baterías o aparato al fuego o a una temperatura excesiva.** La exposición al fuego o a una temperatura superior a 130 °C podría causar una explosión.

9. **Siga todas las instrucciones relativas a la carga y no cargue el paquete de baterías o el aparato fuera del rango de temperatura especificado en las instrucciones.** Realizar la carga de manera inapropiada o a temperaturas fuera del rango especificado podría dañar la batería e incrementar el riesgo de incendio.
10. **Pida que el servicio lo realice un técnico en reparaciones calificado y que utilice únicamente piezas de repuesto idénticas a las originales.** Esto garantizará que se mantenga la seguridad del producto.
11. **No modifique ni intente reparar el aparato ni el paquete de baterías salvo como se indique en las instrucciones para el uso y cuidado.**
11. **Para deshacerse del cartucho de batería, sáquelo del aparato y deséchelo en un lugar seguro. Siga las regulaciones locales relacionadas al desecho de las baterías.**
12. **Utilice las baterías únicamente con los productos especificados por Makita.** Instalar las baterías en productos que no cumplan con los requisitos podría ocasionar un incendio, un calentamiento excesivo, una explosión o una fuga de electrolito.
13. **Si no se utiliza el aparato por un período largo, debe extraerse la batería del aparato.**
14. **El cartucho de batería podría absorber calor durante y después de su uso, lo que ocasionaría quemaduras o quemaduras a baja temperatura. Tenga cuidado con la manipulación de los cartuchos de batería que estén calientes.**
15. **No toque el terminal del aparato inmediatamente después de su uso, ya que el mismo podría estar lo suficientemente caliente como para provocar quemaduras.**
16. **No permita que las rebabas, el polvo o la tierra queden atrapados en los terminales, orificios y ranuras del cartucho de batería.** Esto podría ocasionar un desempeño deficiente o descompostura del aparato o del cartucho de batería.
17. **No utilice el cartucho de batería cerca de cables eléctricos de alto voltaje, a menos que el aparato sea compatible con el uso cercano a estos cables eléctricos de alto voltaje.** Esto podría ocasionar una avería o descompostura del aparato o del cartucho de batería.
18. **Mantenga la batería alejada de los niños.**

Instrucciones importantes de seguridad para el cartucho de batería

1. **Antes de utilizar el cartucho de batería, lea todas las instrucciones e indicaciones de precaución en el (1) el cargador de batería, (2) la batería, y (3) el producto con el que se utiliza la batería.**
2. **No desarme ni modifique el cartucho de batería.** Podría ocurrir un incendio, calor excesivo o una explosión.
3. **Si el tiempo de operación se ha acordado en exceso, deje de operar de inmediato.** Podría correrse el riesgo de sobrecalentamiento, posibles quemaduras e incluso explosión.
4. **En caso de que ingresen electrolitos en sus ojos, enjuáguelos bien con agua limpia y consulte de inmediato a un médico.** Esto podría ocasionar pérdida de visión.
5. **Evite cortocircuitar el cartucho de batería:**
 - (1) **No toque las terminales con ningún material conductor.**
 - (2) **Evite guardar el cartucho de batería en un cajón junto con otros objetos metálicos, tales como clavos, monedas, etc.**
 - (3) **No exponga el cartucho de batería al agua o la lluvia.**

Un cortocircuito en la batería puede causar un flujo grande de corriente, sobrecalentamiento, posibles quemaduras e incluso una descompostura.

6. **No guarde y use el aparato ni el cartucho de batería en lugares donde la temperatura pueda alcanzar o exceder los 50°C (122°F).**
7. **Nunca incinere el cartucho de batería incluso en el caso de que esté dañado seriamente o ya no sirva en absoluto.** El cartucho de batería puede explotar si se tira al fuego.
8. **No clave, corte, aplaste, lance o deje caer el cartucho de batería, ni golpee un objeto sólido contra el cartucho de batería.** Dicha acción podría resultar en un incendio, calor excesivo o en una explosión.
9. **No use una batería dañada.**
10. **Las baterías de ión de litio están sujetas a los requisitos reglamentarios en materia de bienes peligrosos.** Para el transporte comercial, por ej., mediante terceros o agentes de transporte, se deben tomar en cuenta los requisitos especiales relativos al empaque y el etiquetado. Para efectuar los preparativos del artículo que se va a enviar, se requiere consultar a un experto en materiales peligrosos. Si es posible, consulte además otras regulaciones nacionales más detalladas. Pegue o cubra con cinta adhesiva los contactos abiertos y empaque la batería de manera que ésta no pueda moverse dentro del paquete.

18. **Mantenga la batería alejada de los niños.**

GUARDE ESTAS INSTRUCCIONES.

⚠PRECAUCIÓN: Utilice únicamente baterías originales de Makita. El uso de baterías no originales de Makita, o de baterías alteradas, puede ocasionar que las baterías exploten causando un incendio, lesiones personales y daños. Asimismo, esto invalidará la garantía de Makita para el aparato y el cargador Makita.

Consejos para alargar al máximo la vida útil de la batería

1. **Cargue el cartucho de batería antes de que se descargue completamente.** Pare siempre la operación del aparato y cargue el cartucho de batería cuando note menos potencia en el aparato.
2. **No cargue nunca un cartucho de batería que esté completamente cargado.** La sobrecarga acortará la vida de servicio de la batería.
3. **Cargue el cartucho de batería a una temperatura ambiente de 10 °C - 40 °C (50 °F - 104 °F).** Si un cartucho de batería está caliente, déjelo enfriar antes de cargarlo.
4. **Cuando no utilice el cartucho de batería, sáquelo del aparato o del cargador.**
5. **Cargue el cartucho de batería si no va a utilizarlo durante un período prolongado (más de seis meses).**

DESCRIPCIÓN DE LAS PIEZAS

Hervidor

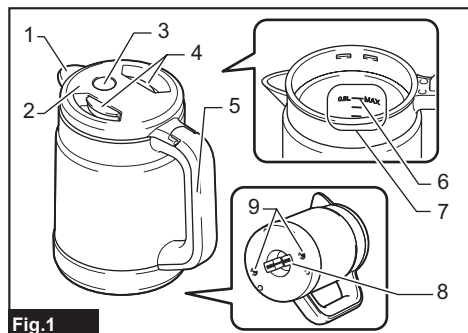


Fig.1

1	Vertedero	2	Tapa
3	Botón de bloqueo de escape	4	Botón de apertura de tapa
5	Mango	6	Línea máxima
7	Escala para volumen de agua	8	Conector de la fuente de alimentación (lado inferior)
9	Sensor de temperatura	-	-

Soporte de la fuente de alimentación

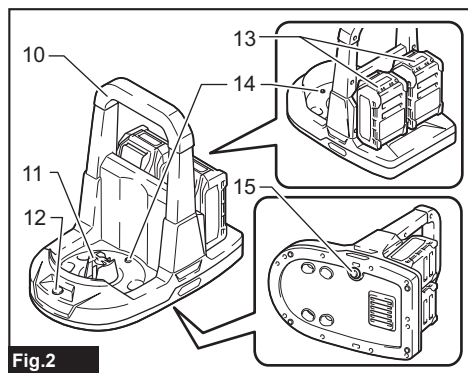


Fig.2

10	Mango portador	11	Conector de la fuente de alimentación
12	Interruptor de alimentación	13	Cartucho de batería
14	Sensor de temperatura	15	Elemento detector de tierra

DESCRIPCIÓN DEL FUNCIONAMIENTO

⚠PRECAUCIÓN: Asegúrese siempre de que el aparato esté apagado y que el cartucho de la batería haya sido extraído antes de realizar cualquier ajuste o revisión del funcionamiento del aparato.

Instalación o extracción del cartucho de batería

⚠PRECAUCIÓN: Apague siempre el aparato antes de instalar o extraer el cartucho de la batería.

⚠PRECAUCIÓN: Sujete el aparato y el cartucho de la batería con firmeza al colocar o quitar el cartucho de la batería. Si no se sujeta con firmeza el aparato y el cartucho de la batería, puede ocasionar que se resbalen de sus manos resultando en daños al aparato y al cartucho de la batería, así como lesiones a la persona.

Para quitar el cartucho de batería, deslícelo del aparato mientras desliza el botón sobre la parte delantera del cartucho.

Para colocar el cartucho de batería, alinee la lengüeta sobre el cartucho de batería con la ranura en la carcasa y deslice en su lugar. Inserte por completo hasta que se fije en su lugar con un pequeño clic. Si puede ver el indicador rojo del lado superior del botón, esto indica que no ha quedado fijo por completo.

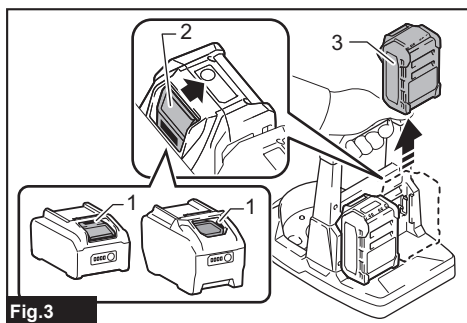


Fig.3

► 1. Indicador rojo 2. Botón 3. Cartucho de batería

⚠PRECAUCIÓN: Introduzca siempre completamente el cartucho de batería hasta que el indicador rojo no pueda verse. Si no, podría accidentalmente salirse de la herramienta y caer al suelo causando una lesión a usted o alguien a su alrededor.

⚠PRECAUCIÓN: No instale el cartucho de batería a la fuerza. Si el cartucho no se desliza al interior fácilmente, se debe a que no está siendo insertado correctamente.

NOTA: Se pueden instalar hasta dos cartuchos de batería, aunque el aparato utiliza solo un cartucho de batería para funcionar.

Indicación de la capacidad restante de la batería

Oprima el botón de verificación en el cartucho de la batería para que indique la capacidad restante de la batería. Las luces indicadoras se iluminarán por algunos segundos.

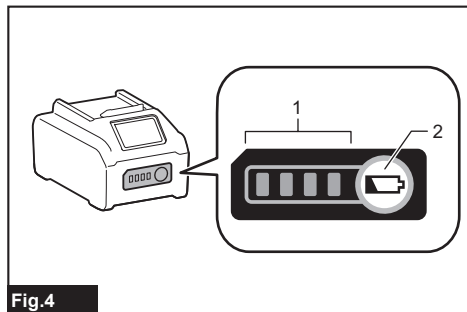


Fig.4

► 1. Luces indicadoras 2. Botón de verificación

Luces indicadoras			Capacidad restante
Iluminadas	Apagadas	Parpadeando	
■	□	▧	75% a 100%
■ ■ ■ ■			
	□		50% a 75%
■ ■ ■ ■	□		
	□	▧	25% a 50%
■ ■ ■ ■	□ □		
	□		0% a 25%
■ ■ ■ ■	□ □ □ □		
▧	□	▧	Cargar la batería.
■ ■ ■ ■	□ □	▧	La batería pudo haber funcionado mal.
□ □	■ ■		

NOTA: Dependiendo de las condiciones de uso y la temperatura ambiente, la indicación podrá diferir ligeramente de la capacidad real.

NOTA: La primera luz indicadora (extrema izquierda) parpadeará cuando el sistema de protección de batería esté en funcionamiento.

Sistema de protección del aparato/batería

El aparato y la batería están equipados con el sistema de protección. Este sistema corta automáticamente la alimentación al motor para prolongar la vida del aparato y la batería. El aparato se detendrá automáticamente durante la operación si el aparato o la batería se someten a una de las siguientes condiciones.

- **Protección contra sobrecarga:** Cuando el aparato o la batería se están utilizando de manera que causa que consuma una cantidad de corriente inusualmente alta, el aparato se detiene automáticamente sin que haya indicación alguna. En esta situación, apague el aparato y detenga la aplicación que haya causado que el aparato se sobrecargara. Luego, encienda el aparato para volver a arrancarlo.
- **Protección contra sobrecalentamiento:** Cuando el aparato o la batería se sobrecalienten, el aparato se detiene automáticamente. Deje que el aparato se enfríe antes de volverlo a encender.
- **Protección contra descarga excesiva:** Cuando la capacidad de la batería es baja, el aparato se detiene automáticamente. Si el aparato no funciona incluso cuando los interruptores están siendo operados, retire el cartucho de batería del aparato y cárguelo.

Protección contra otras causas

El sistema de protección también está diseñado para otras causas que podrían dañar el aparato, y permite que el aparato se detenga automáticamente. Siga todos los pasos a continuación para eliminar las causas cuando el aparato se haya detenido temporalmente o se haya detenido durante el funcionamiento.

1. Apague el aparato, y luego enciéndalo nuevamente para reiniciarlo.
2. Cargue la(s) batería(s) o reemplácela(s) con batería(s) recargada(s).
3. Deje que el aparato y la(s) batería(s) se enfríen.

Si no hay ninguna mejora al restaurar el sistema de protección, comuníquese con su centro local de servicio Makita.

Uso del aparato con la fuente de alimentación conectada por cable

Antes de utilizar la fuente de alimentación conectada por cable, lea las instrucciones e indicaciones de precaución sobre esta.

⚠ADVERTENCIA: Cuando utilice el aparato con la fuente de alimentación conectada por cable, coloque la fuente de alimentación conectada por cable sobre una superficie estable. Este aparato se utiliza en una posición estática. El uso de la fuente de alimentación conectada por cable que lleva en la espalda podría causar un accidente de caída.

OPERACIÓN

Preparación

Cuando utilice el aparato por primera vez, o después de un largo período de almacenamiento, realice los siguientes pasos.

1. Quite todos los materiales de empaque del aparato.
2. Limpie el interior del hervidor y el filtro. Puede haber suciedad como polvo en ellos.

Consulte el capítulo de «MANTENIMIENTO» para mayor información sobre cómo limpiarlos.

Agua en ebullición

⚠PRECAUCIÓN: Ponga a hervir agua solamente. No ponga hervir otra cosa que no sea agua.

⚠PRECAUCIÓN: No coloque el aparato en un lugar inestable, un lugar donde la gente pase a menudo o un lugar al que puedan llegar los niños. De lo contrario, el aparato podría volcarse accidentalmente y provocar lesiones.

⚠PRECAUCIÓN: Cuando cierre la tapa, empuje la tapa firmemente y ponga el botón de bloqueo de escape en la posición bloqueada. De lo contrario, podrían producirse lesiones por quemaduras cuando se produce un accidente por caída.

1. Abra la tapa mientras oprime ambos botones de abertura de tapa.
2. Vierta la cantidad preferida de agua tibia fresca en el hervidor. Posteriormente, cierre la tapa.

⚠PRECAUCIÓN: Asegúrese de que el botón de bloqueo de escape esté en la posición bloqueada. De lo contrario, el agua hervida podría derramarse involuntariamente y causar quemaduras.

⚠PRECAUCIÓN: No llene demasiado de agua por encima de la línea máxima. De lo contrario, podría salir expulsada el agua hirviendo y ocasionar una lesión por quemadura.

AVISO: Evite las quemaduras sin agua en el aparato: no lo encienda sin agua. De lo contrario, podría haber decoloración o una avería.

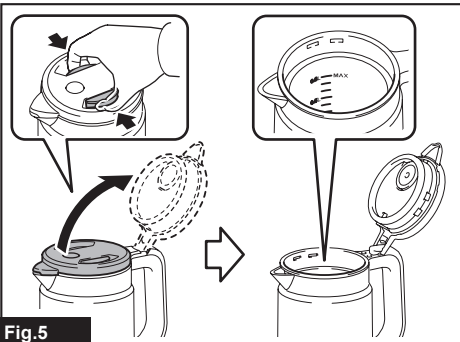


Fig.5

3. Coloque el hervidor en el soporte de la fuente de alimentación.

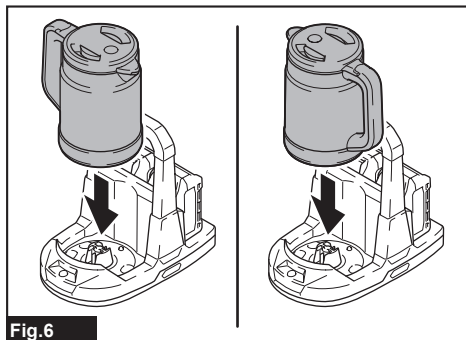


Fig.6

4. Oprima el interruptor de alimentación.

El interruptor de alimentación se ilumina en naranja con un solo pitido, y luego comienza a hervir.

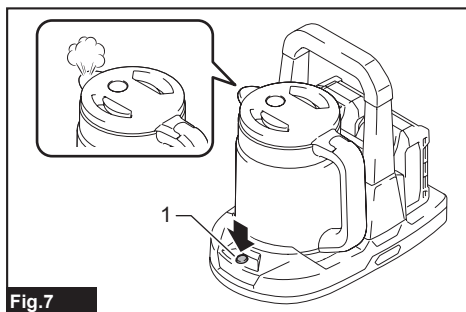


Fig.7

- ▶ 1. Interruptor de alimentación


⚠PRECAUCIÓN: Asegúrese de que la tapa esté cerrada. De lo contrario, es posible que se descargue un gran volumen de vapor y se produzcan lesiones por quemaduras.

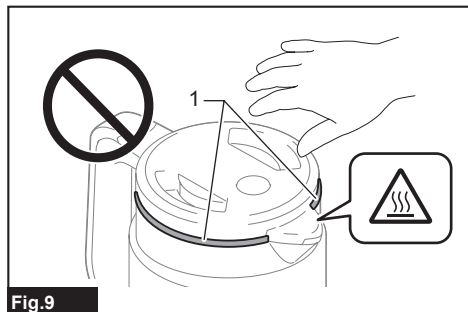
⚠PRECAUCIÓN: Asegúrese de que el botón de bloqueo de escape esté en la posición bloqueada. De lo contrario, es posible que se descargue un gran volumen de vapor y se produzcan lesiones por quemaduras.

⚠PRECAUCIÓN: No toque el vapor. Riesgo de lesión por quemadura.



Fig.8

⚠PRECAUCIÓN: No toque alrededor de la marca  y de la parte metálica localizada en la figura durante la ebullición o un poco de tiempo después de la ebullición. Riesgo de lesión por quemadura.



► 1. Parte metálica que podría estar extremadamente caliente

NOTA: Si presiona el interruptor de alimentación justo después de la operación de hervido, es posible que el aparato no funcione debido a la protección contra altas temperaturas. En este caso, deje que el aparato se enfríe y luego presione el interruptor de alimentación nuevamente.

Cuando termina la ebullición, el aparato se apaga automáticamente con unos segundos de pitido.

NOTA: Cuando levanta el hervidor o el soporte de la fuente de alimentación mientras hierve, el aparato deja de hervir y el interruptor de alimentación parpadea en naranja.

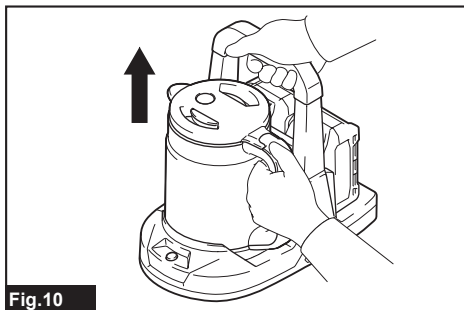
— Si devuelve el hervidor o el soporte de la fuente de alimentación mientras el interruptor de alimentación está parpadeando, el aparato reinicia la ebullición automáticamente.

— Pocos segundos después de levantar el hervidor o el soporte de la fuente de alimentación, el aparato se apaga.

NOTA: Cuando la capacidad de la batería se reduce mientras tiene lugar la ebullición, el aparato se apaga y el interruptor de alimentación parpadea en rojo durante unos segundos con tres pitidos.

NOTA: Si enciende el aparato cuando las capacidades de todas las baterías son pocas, el aparato se apaga en unos segundos con un solo pitido.

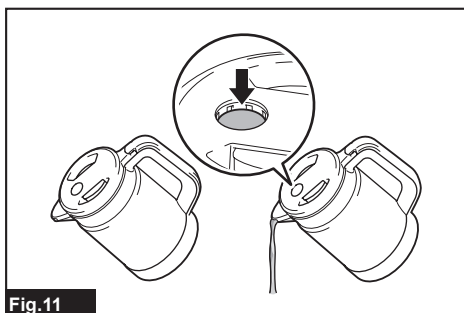
5. Levante el hervidor mientras sujeta el mango portador del soporte de la fuente de alimentación.



6. Vierta el agua.

⚠PRECAUCIÓN: Tenga cuidado de no quemarse mientras vierte agua hirviendo.

Para evitar el escape accidental de agua, se proporciona el botón de bloqueo de escape. Oprima el botón de bloqueo de escape para despachar el agua.



Transporte

⚠ADVERTENCIA: No transporte el hervidor con el soporte de la fuente de alimentación mientras calienta agua, o con agua hirviendo en el hervidor. De lo contrario, podrían producirse lesiones por quemaduras cuando se produce un accidente por caída.

Cuando transporte el aparato, llévalo por el mango portador.

MANTENIMIENTO

⚠ADVERTENCIA: Todas las piezas deberán ser reemplazadas en un Centro de servicio autorizado.

⚠PRECAUCIÓN: Asegúrese siempre de que el aparato haya sido apagado y desconectado, y que el cartucho de batería haya sido extraído antes de intentar realizar una inspección o tarea de mantenimiento.

⚠PRECAUCIÓN: No toque el hervidor inmediatamente después de descargar el agua hirviendo. Espere hasta que el hervidor se enfríe por completo. De lo contrario, podría sufrir una lesión por quemaduras.

⚠PRECAUCIÓN: Asegúrese de que el hervidor esté vacío antes de intentar hacer una inspección o una tarea de mantenimiento. De lo contrario, podrían ocurrir accidentes.

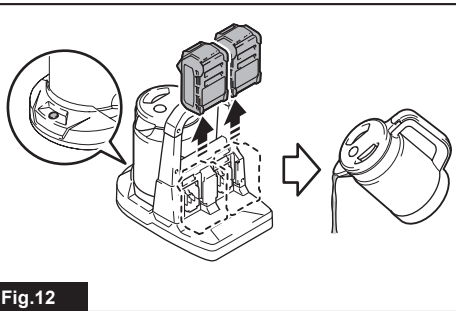


Fig.12

AVISO: Nunca use gasolina, bencina, diluyente (tíner), alcohol o sustancias similares. Puede que esto ocasione grietas o descoloramiento.

AVISO: No utilice el lavavajillas, la secadora de platos ni el secador de pelo.

AVISO: No utilice polvos para pulir, lejía, limpiadores, cepillos para fregar metal, cepillos de fregar con productos químicos, etc.

AVISO: No lave el hervidor y el soporte de la fuente de alimentación. No humedezca el conector de la fuente de alimentación.

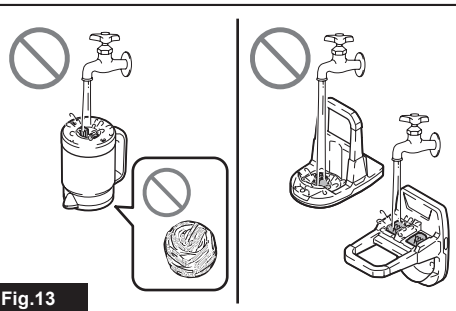


Fig.13

Para mantener la SEGURIDAD y FIABILIDAD del producto, las reparaciones, y cualquier otra tarea de mantenimiento o ajuste deberán ser realizadas en centros de servicio autorizados o de fábrica Makita, empleando siempre repuestos Makita.

Limpieza

Exterior del aparato

Una vez que el aparato se haya enfriado, limpie el exterior del aparato con paños limpios.

Si el aparato está muy sucio, utilice un paño humedecido en agua con jabón. Luego, quite el agua con un paño seco.

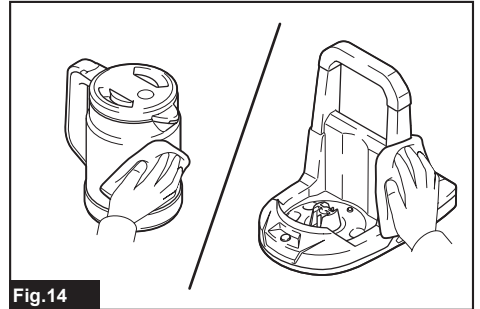


Fig.14

Interior del hervidor

Retire la tapa tirando de ella hacia afuera del hervidor, como se muestra en la figura.

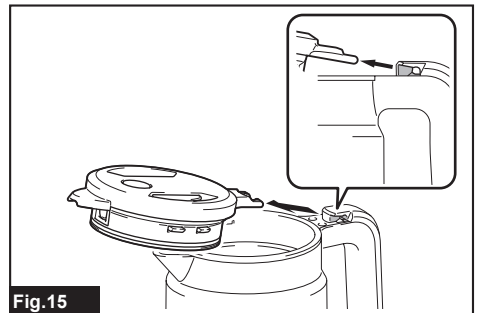


Fig.15

Enjuáguela bien con agua, luego seque el interior.

Filtro

Retire el filtro tirando de él para sacarlo de la tapa, como se muestra en la figura. Lave el filtro, luego séquelo.

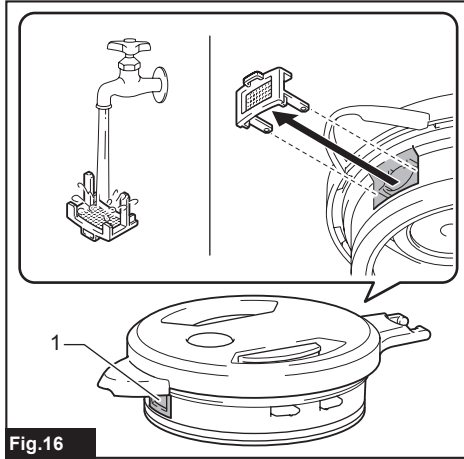


Fig.16

► 1. Filtro

Para instalar el filtro y la tapa, siga el procedimiento de extracción a la inversa.

Remoción de sarro del hervidor

Conforme se usa el aparato al paso del tiempo, se acumulará sarro por el agua dentro del hervidor. El sarro por el agua quita eficiencia a la ebullición. Si se nota sarro por el agua, limpie el interior del hervidor con ácido cítrico.

1. Abra la tapa y retire el filtro de la tapa.
2. Vierta agua hasta la línea máxima dentro del hervidor.
3. Añada 40 g (1,4 oz) de ácido cítrico disponible comercialmente en el agua, y agítelo. Posteriormente, cierre la tapa.
4. Coloque el hervidor sobre el soporte de la fuente de alimentación.
5. Oprima el interruptor de alimentación.
6. Deje reposando el hervidor durante aproximadamente 1 hora después de que termine de hervir.
7. Drene el agua y enjuague el interior del hervidor con agua.
8. Si huele o siente sabor a ácido cítrico, ponga a hervir agua solamente y drénela.

Si la suciedad es difícil de quitar, repita los pasos 2 a 7.

9. Seque el hervidor e instale el filtro sobre la tapa.

Almacenamiento

Para evitar incendios o quemaduras, deje que el aparato se enfríe completamente antes de guardarlo. No guarde la batería descargada durante períodos prolongados, ya que puede acortar su vida útil.

RESOLUCIÓN DE PROBLEMAS

Antes de solicitar alguna reparación, primero realice una inspección por su cuenta. Si detecta algún problema que no esté explicado en el manual, no intente desarmar la máquina. En vez de esto, solicite la reparación a un centro de servicio autorizado de Makita, usando siempre piezas de repuesto Makita.

Síntoma	Causa probable	Solución
No funciona.	Los cartuchos de batería no están instalados correctamente.	Instale los cartuchos de batería tal como se describe en este manual.
	Los cartuchos de batería se han agotado.	Cargue los cartuchos de batería.
El aparato se apaga con un pitido poco después de encenderlo.	El sensor de temperatura detecta alta temperatura porque el interruptor de alimentación se presionó justo después de la ebullición.	Deje el aparato unos minutos apagado para que este se enfríe.
El aparato se apaga y el interruptor de alimentación parpadea en naranja poco después de encender el aparato.	El terminal del sensor de temperatura está sucio.	Limpie la suciedad del sensor de temperatura con un paño seco.
	El soporte de la fuente de alimentación está inclinado o colocado sobre una superficie inestable.	Ponga el aparato sobre una superficie estable, nivelada y plana.
Aunque la operación de ebullición no haya terminado, el aparato se apaga con unos segundos de pitido, como cuando termina la ebullición.	El terminal del sensor de temperatura está sucio.	Limpie la suciedad del sensor de temperatura con un paño seco.
	El hervidor no está colocado correctamente en el soporte de la fuente de alimentación porque ha quedado atrapado polvo o algo similar entre el hervidor y el soporte de la fuente de alimentación.	Quite el polvo del fondo del hervidor o del soporte de la fuente de alimentación.
El interruptor de alimentación no deja de parpadear en rojo. (Y el interruptor de alimentación se apaga unos 10 minutos después).	El conector de la fuente de alimentación del hervidor o el soporte de la fuente de alimentación está sucio.	Retire la batería y limpie la suciedad del conector de la fuente de alimentación con un paño seco.
Se derrama el agua hervida.	Se rellenó con agua por encima de la línea máxima.	Quite agua hasta quedar por debajo de la línea máxima.
	Se rellena el hervidor con otra cosa que no sea agua.	No ponga hervir otra cosa que no sea agua.
El agua hervida desprende olores.	El cloro del agua de la llave podría oler.	
		Olor de resina justo después de desempacar el aparato se desvanecerá con el tiempo.
Gotas de agua sobre el soporte de la fuente de alimentación.	Puede producirse condensación de rocío en el aparato debido al vapor del agua hervida.	
Fugas de agua hervida cuando se inclina el hervidor.	Hay una abertura del vertedero. Incluso si el botón de apertura de tapa está en la posición de bloqueo, el agua se escapa cuando se inclina el hervidor.	

ACCESORIOS OPCIONALES

⚠PRECAUCIÓN: Estos accesorios o aditamentos están recomendados para utilizarse con su aparato Makita especificado en este manual. El uso de cualquier otro accesorio o aditamento puede ocasionar riesgo de lesiones personales. Use los accesorios o aditamentos sólo para los propósitos para los que fueron diseñados.

Si necesita cualquier ayuda para más detalles en relación con estos accesorios, pregunte a su centro de servicio local Makita.

- Batería genuina de Makita y cargador autorizado de Makita

NOTA: Algunos de los artículos en la lista pueden incluirse en el paquete de la herramienta como accesorios estándar. Éstos pueden variar de país a país.

GARANTÍA LIMITADA DE MAKITA

Ésta Garantía no aplica para México

Consulte la hoja de la garantía anexa para ver los términos más vigentes de la garantía aplicable a este producto. En caso de no disponer de esta hoja de garantía anexa, consulte los detalles sobre la garantía descritos en el sitio web de su país respectivo indicado a continuación.

Estados Unidos de América: www.makitatools.com

Canadá: www.makita.ca

Otros países: www.makita.com

Makita Corporation
3-11-8, Sumiyoshi-cho,
Anjo, Aichi 446-8502 Japan
www.makita.com

KT001G-NA3-2110
KT001G-1
EN, FRCA, ESMX
20211124